

Bill of materials

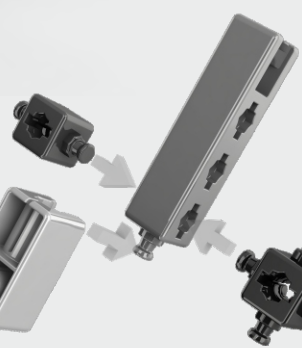
Engine® Engine®

CREATIVE™
engineering maker Master

20 in 1
MODELS



- 1 model printed instructions (included)
- 19 models online 3D instructions



© Copyright Engineo-Net Limited. All Rights Reserved



EU OFFICE & FACTORY:
 ENGINEO-NET LIMITED
 P.O. BOX 72100, 4200
 LIMASSOL, CYPRUS
 Tel.: +357 25821960
 Fax: +357 25821961
 E-mail: info@engineo.com
 Web: www.engineo.com

Copyrights for images:
 @123RF.com / byrdyak, Zdenek Maly, Luis Louro, Svetlana Foote,
 mihmihmal, Natalia Kelsheva, Luisa Puccini

WARNING:
 CHOKING HAZARD—Small parts.
 Not for children under 3 yrs.



Made in EUROPE

Product code:
CE201MM-A
 Edition 3.0



3D INTERACTIVE INSTRUCTIONS
 PLAY BUILD LEARN
 INVENT **STEM** ENABLED

- 7+ Appropriate Ages
- Building Instructions
- 3 Years Warranty
- Extraction Tool For easy disassembly of small parts

Theory

The History of Safari

The word 'safari' was introduced in the English language in the 19th century. The word means 'long journey' in Swahili, an African language. Safaries were originally used to describe the activity of hunting big animals. Documented hunts of a famous hunter, called William, demonstrate the great adventures of the African wilderness. This gave rise to the familiar imagery we associate with the word "safari" today. East African hunting safaris became a fashionable pursuit among members of the privileged classes in Europe and America.



Thankfully, the modern safari is far from what it used to be before. Under the threat of animal extinction and destroying their natural environment, the international community set rules and conditions for safaries. Safaris today are for admiring wildlife and birds in the wild, along with a host of other adventures.

Tourists participate in wildlife viewing of the savanna, forests and river with cameras. Safaris have largely developed into holiday trips that actually benefit the wildlife of Africa, by supporting local conservation efforts and wildlife sanctuaries.

The modern safari is also a socially responsible journey designed to interact ethically with local communities and have a positive impact on local economies.

01

Types of Safaris

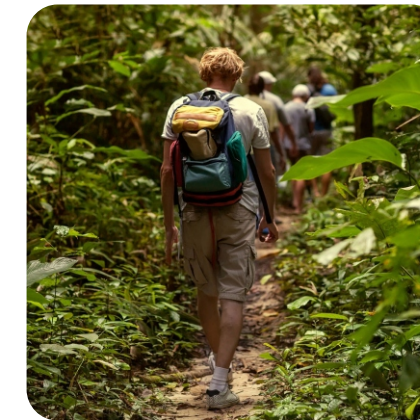
Guided Safaris

The most popular type of safari prevails in most parts of Africa. This type of safari begins in the early morning or late afternoon and is perfect for new travellers, as the driver is very significant because he has a big variety of knowledge of the parks and animals. It is very important if it is your first time on a safari.



Walking Safaris

If someone likes adventure and is willing to try new challenges, walking for hours, is a perfect choice. Many walking safaris give you the chance to see close by the animals in their natural habitat, such as a herd of elephants or a group of beautiful gazelles!



02



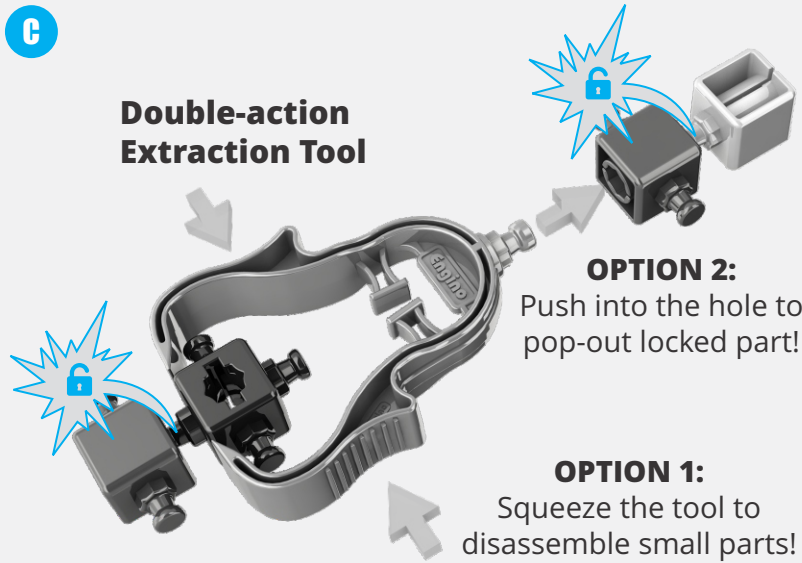
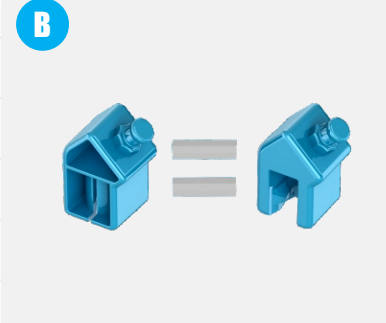
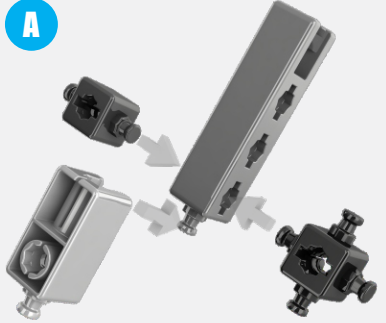
Did you know?

The term "Big Five" originally referred to the difficulty in hunting the lion, leopard, rhino, elephant and African buffalo. These five large African mammal species were known to be dangerous and it was considered a feat by trophy hunters to bring them home. Nowadays, the term "Big Five" is frequently used in the African safari industry, where sightings, encounters and photo opportunities are exciting.



The "Big Five" animals

Building Tips



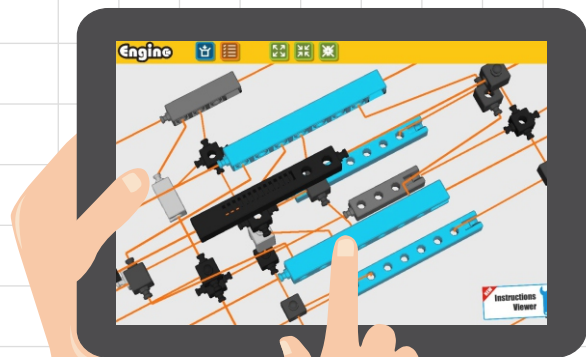
Free App

A Use your PC or tablet and go to the following link for more models:

www.engo.com/instructions/ce201mm-a

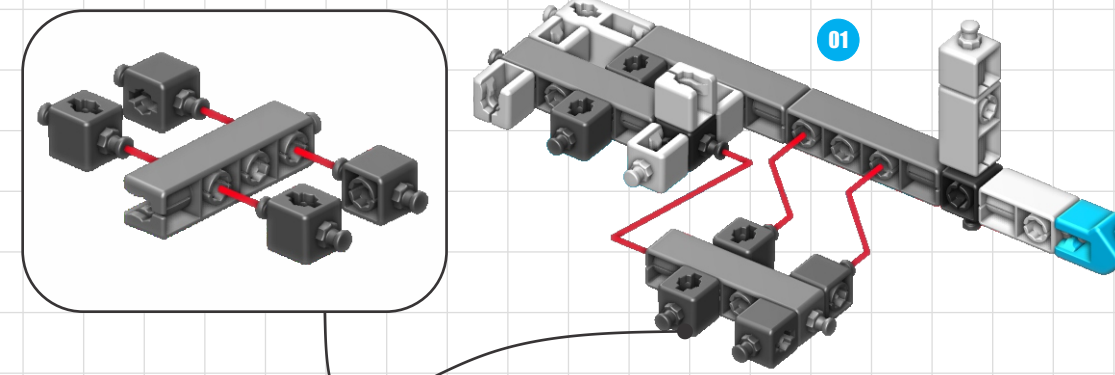
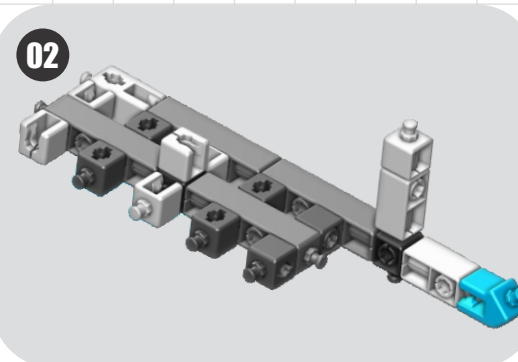
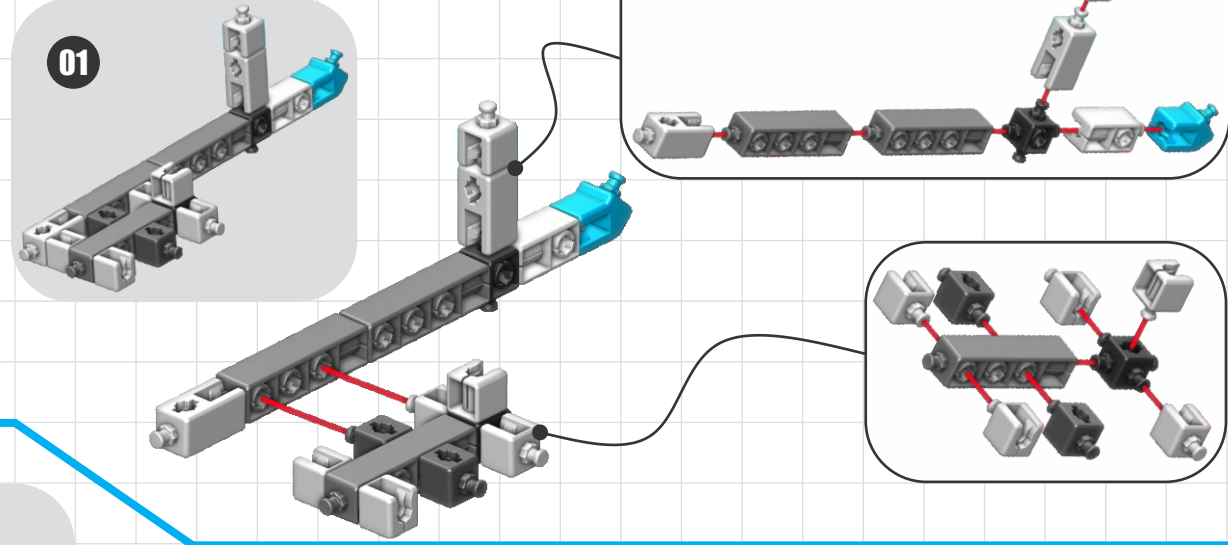
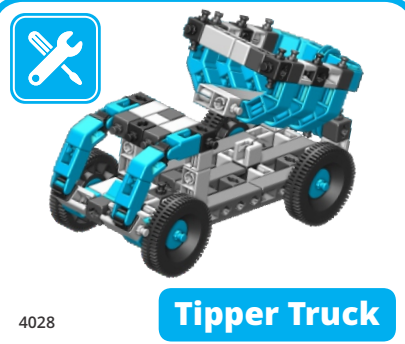
B Download the app to discover step-by-step instructions in 3D view!

Engino kidCAD (3D Viewer) app:

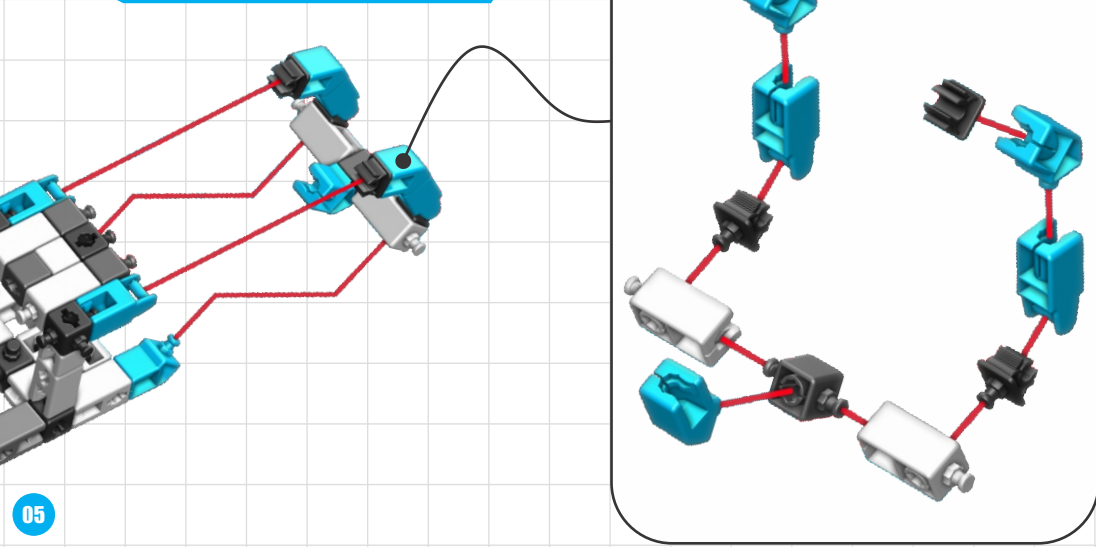
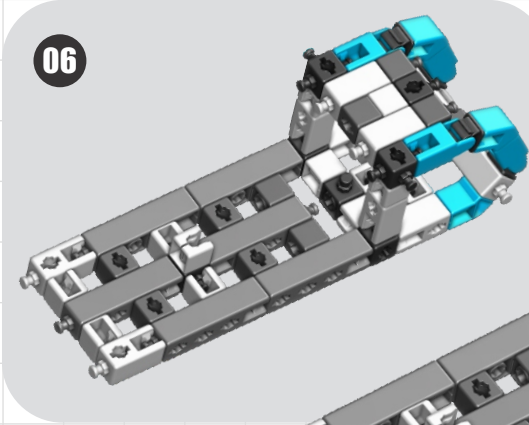
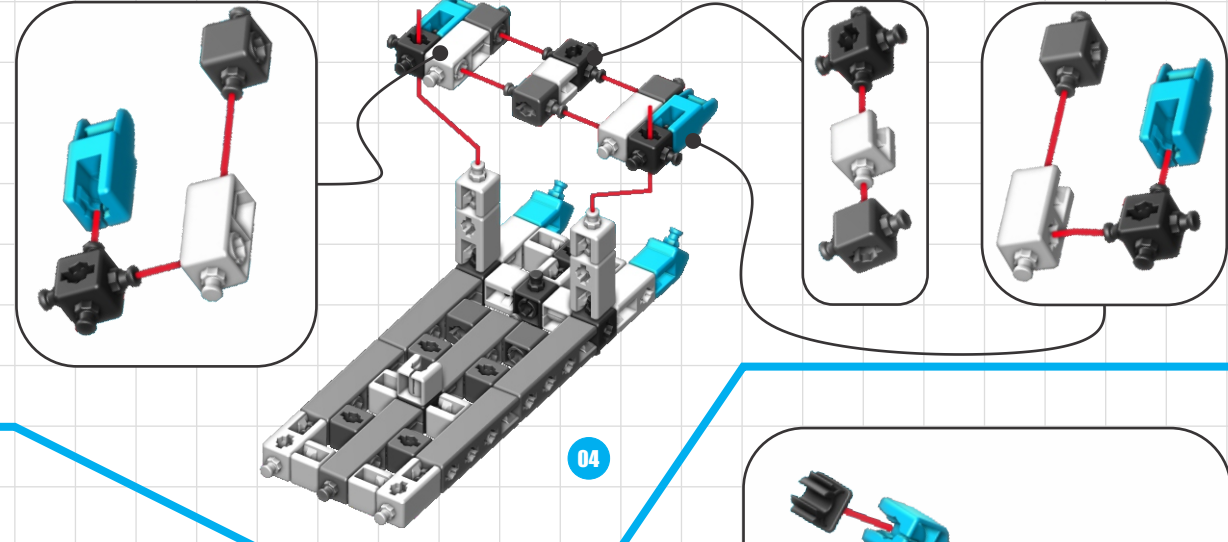
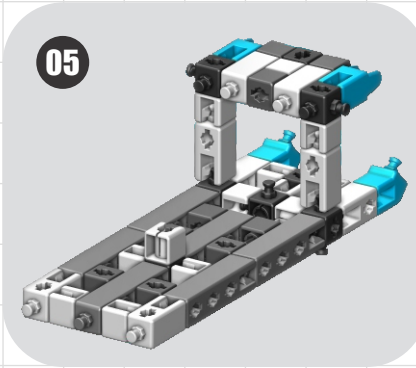
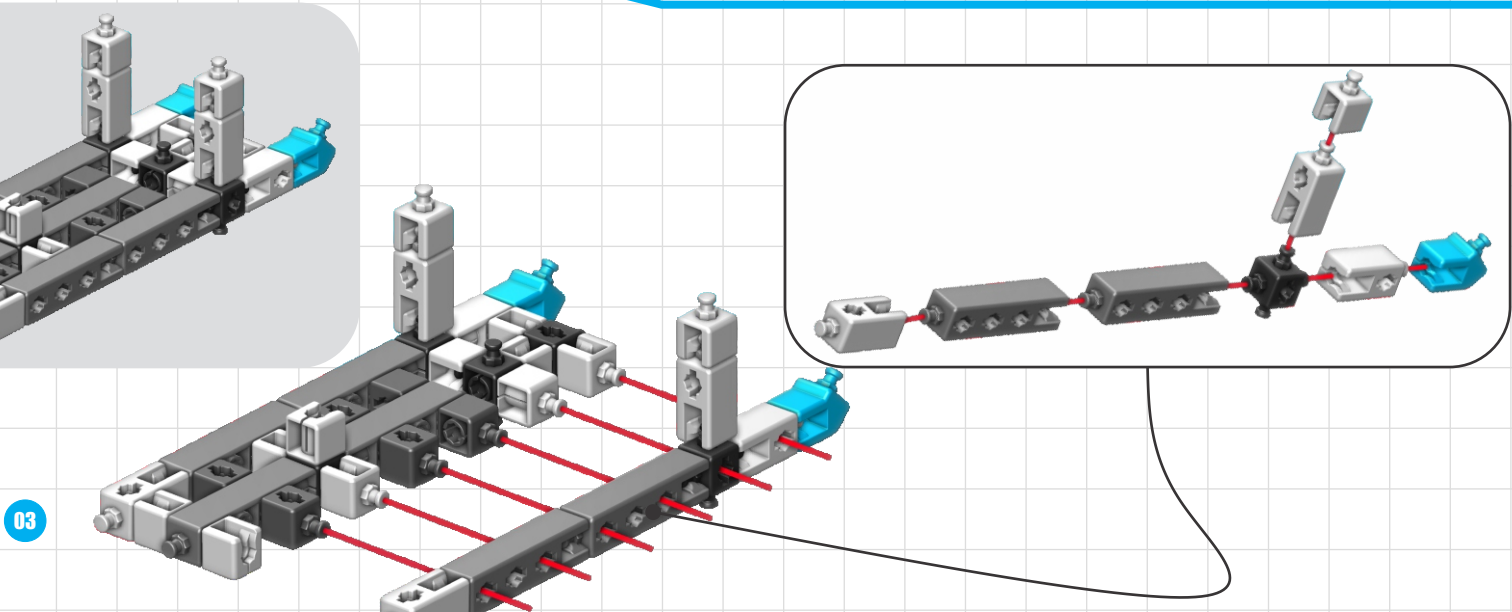
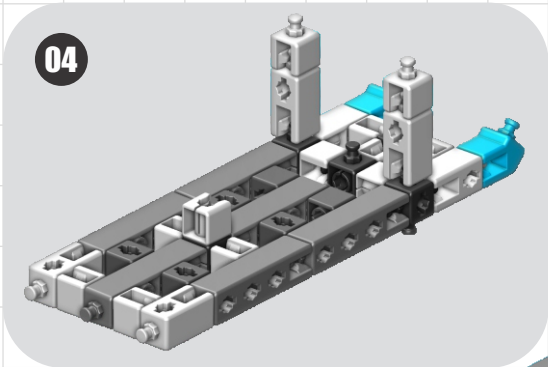
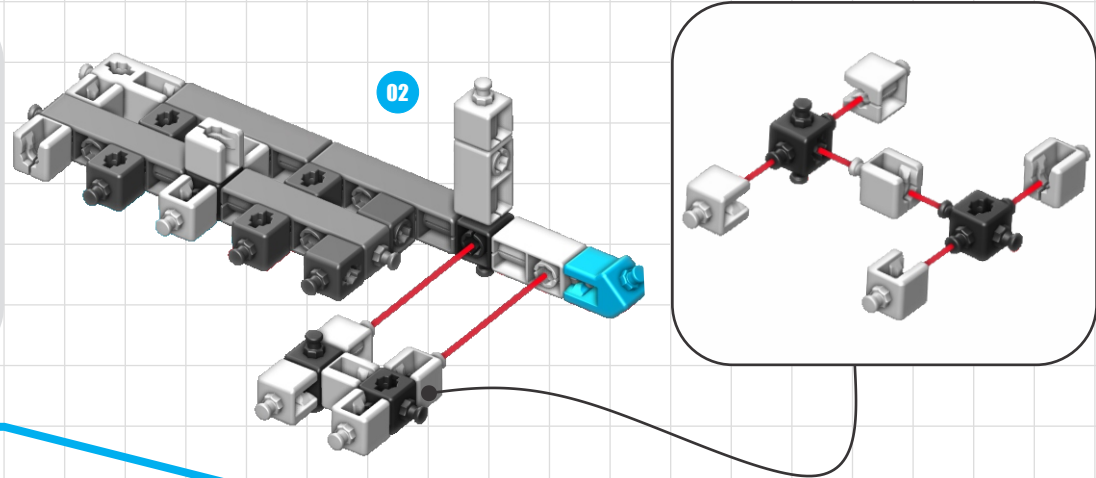
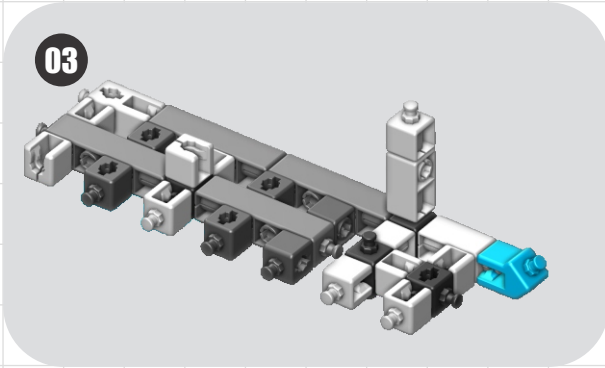


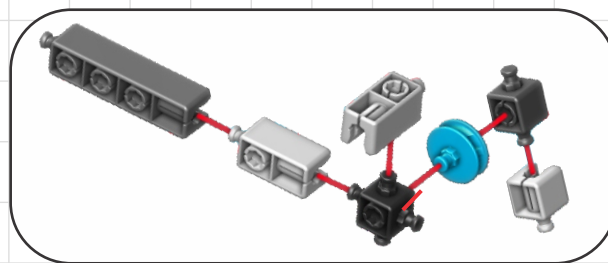
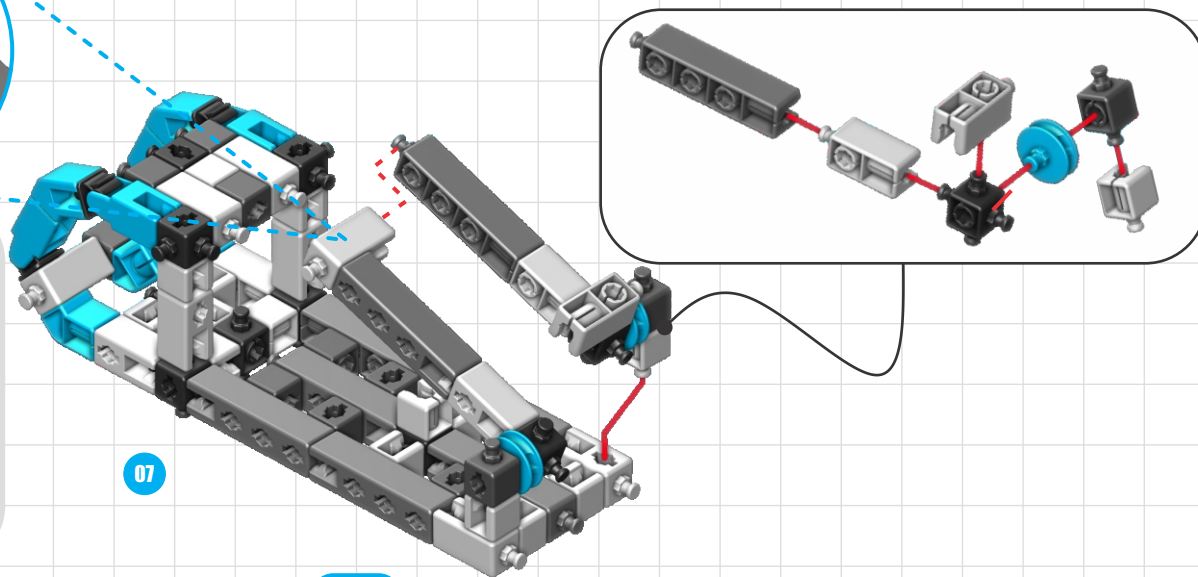
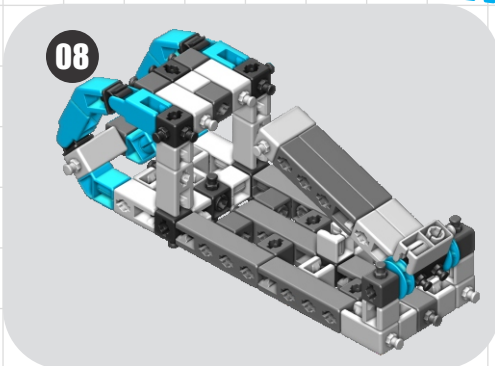
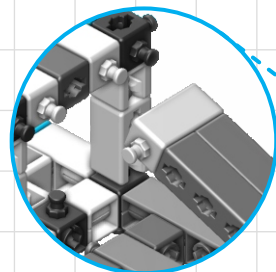
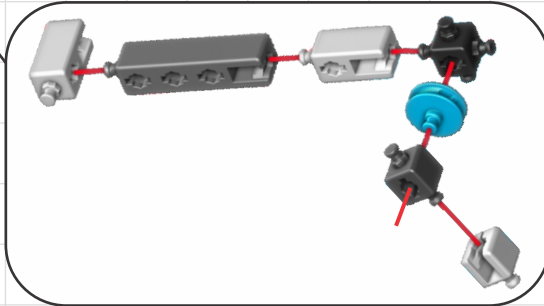
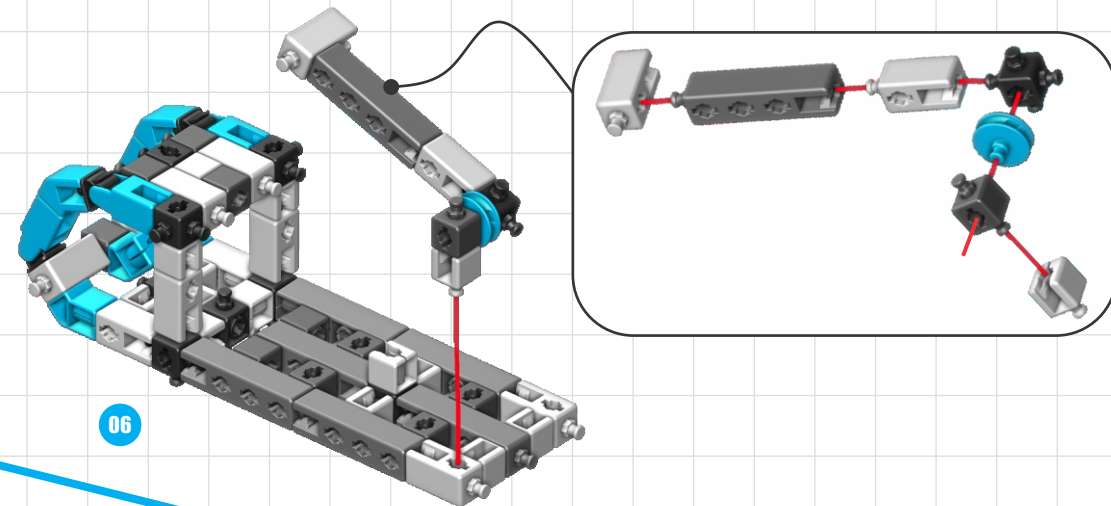
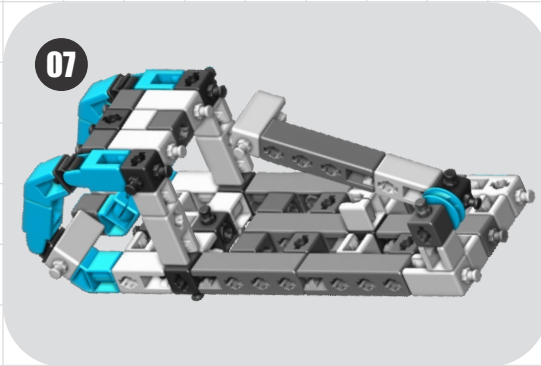
05

Building Instructions

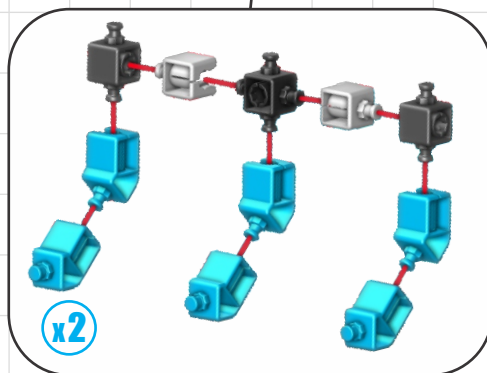
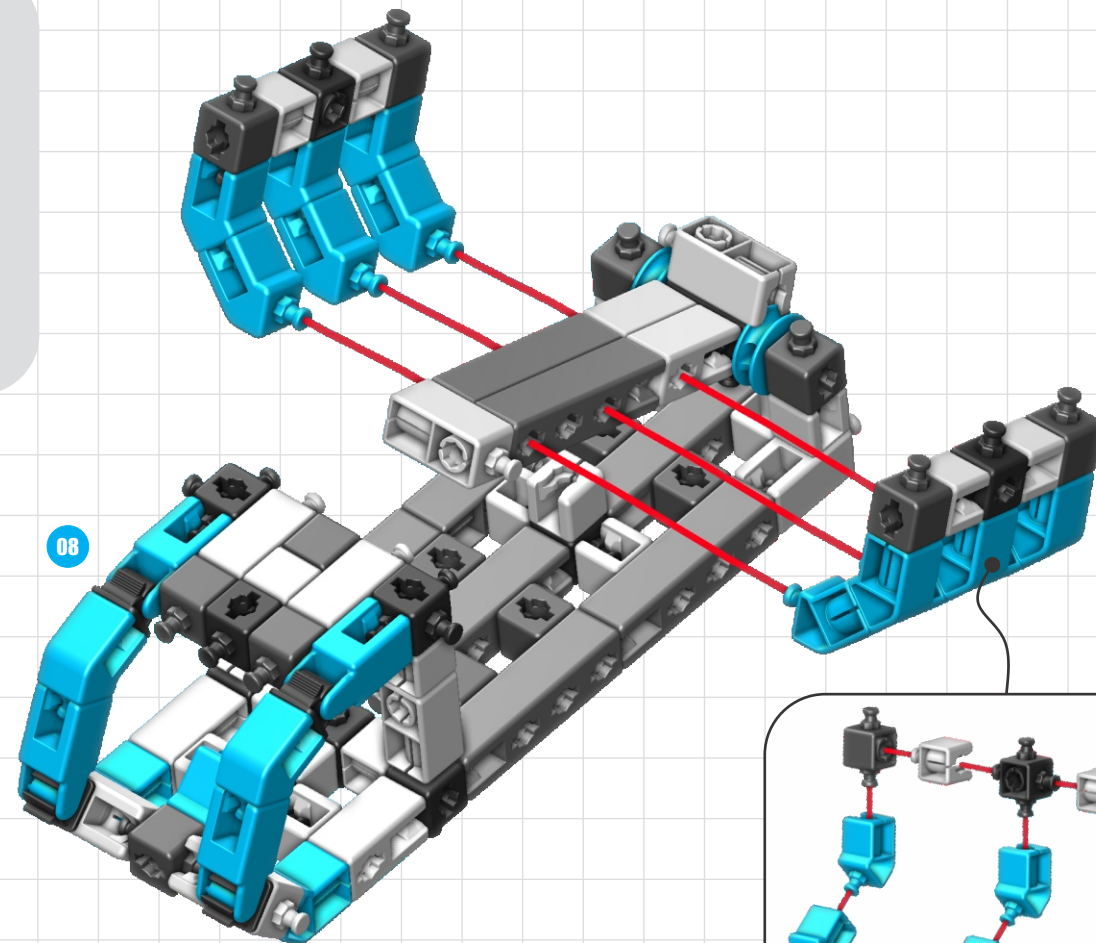
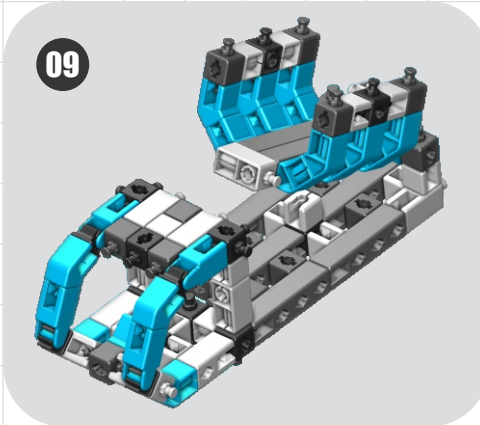


06

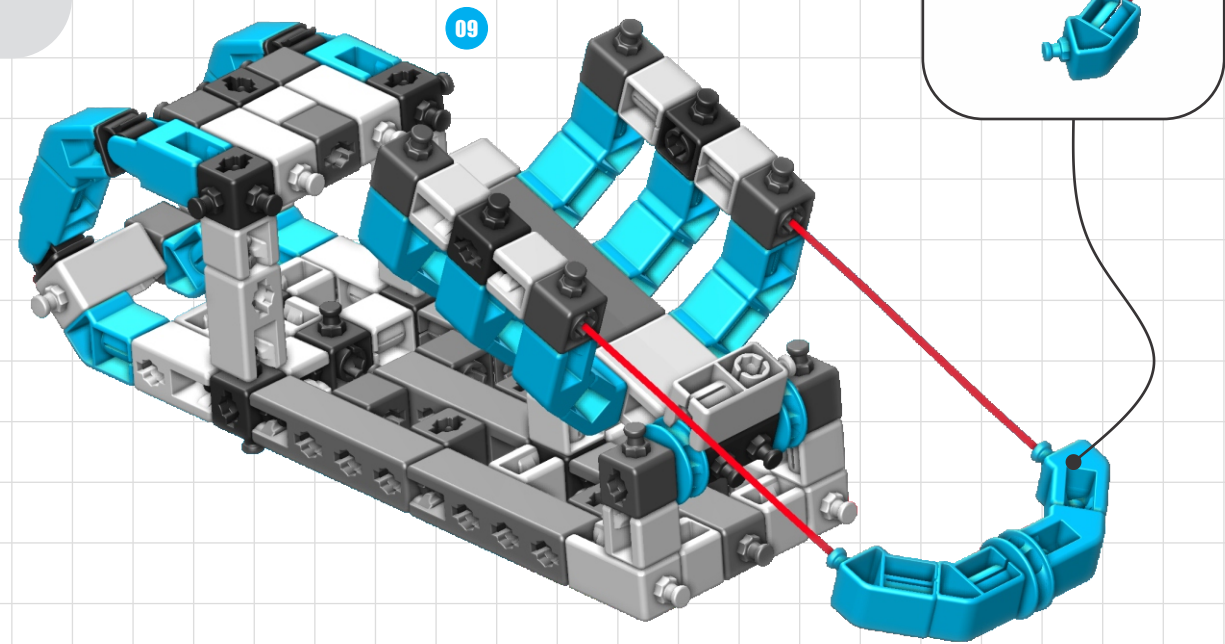
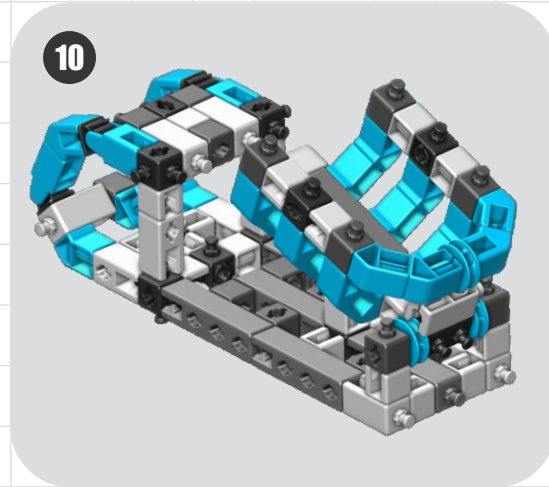




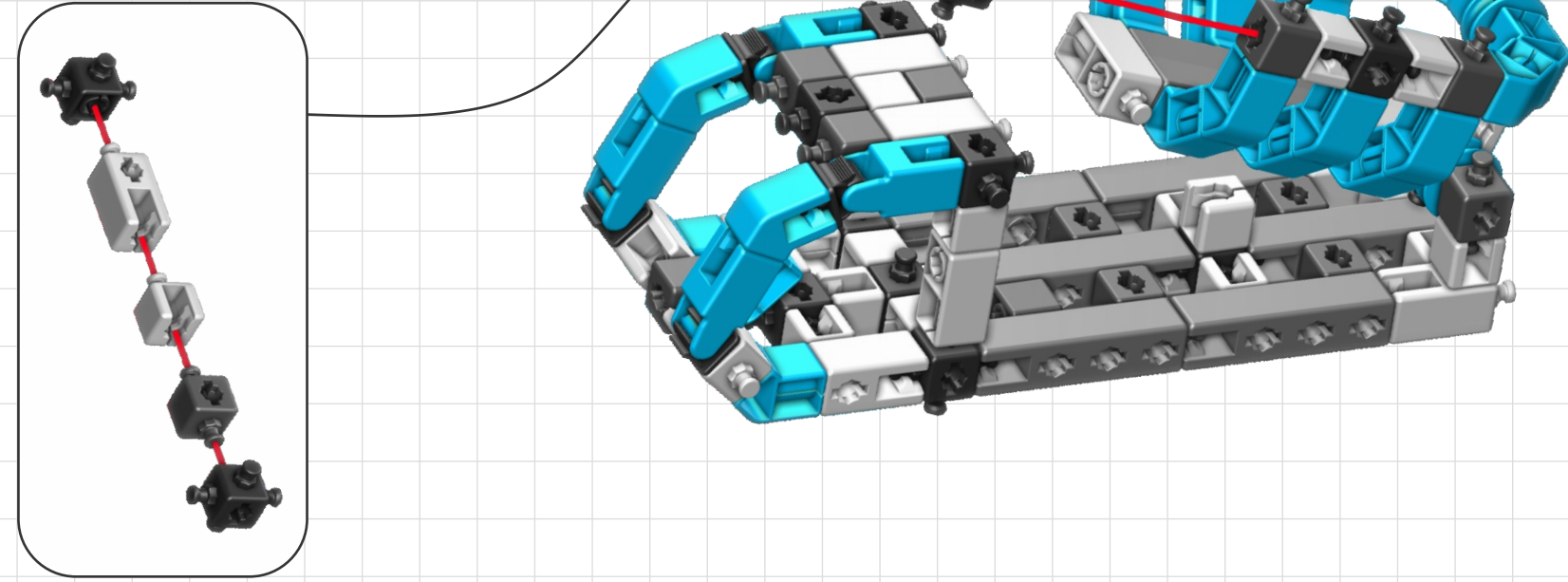
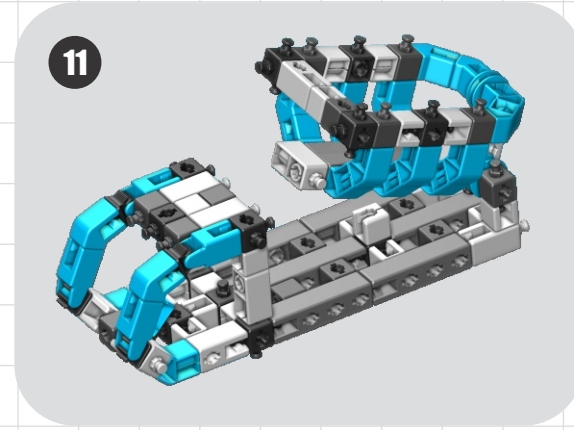
09



10

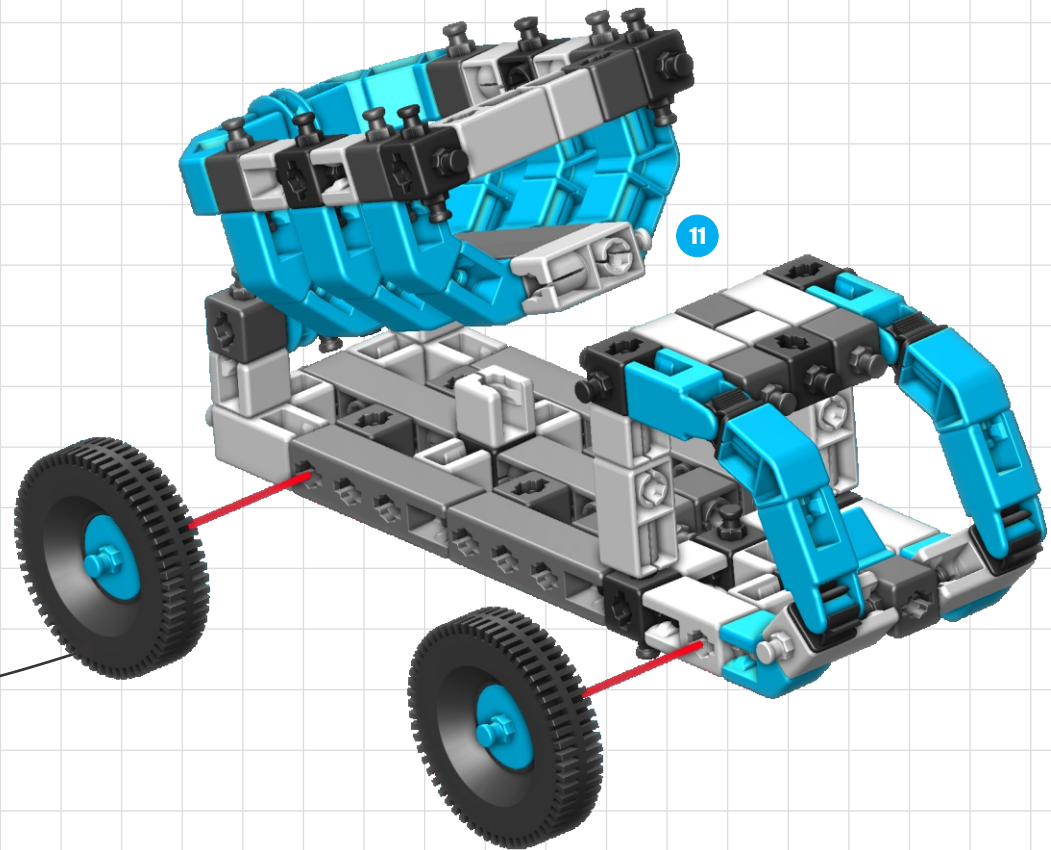
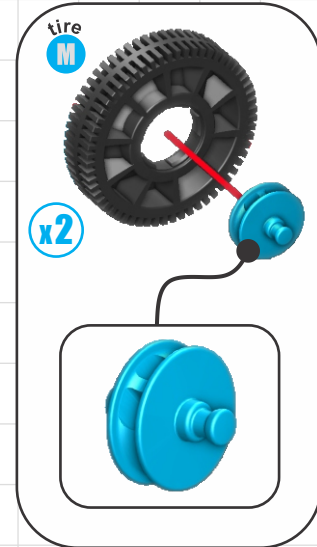
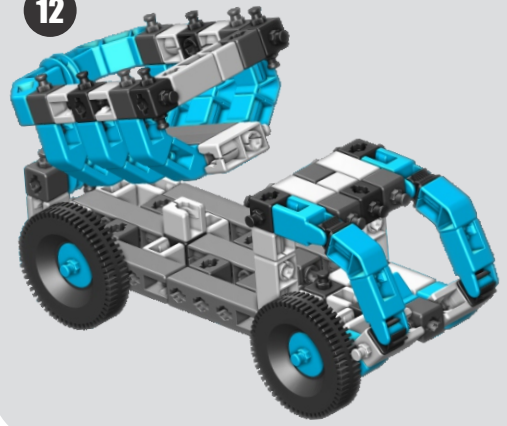


11



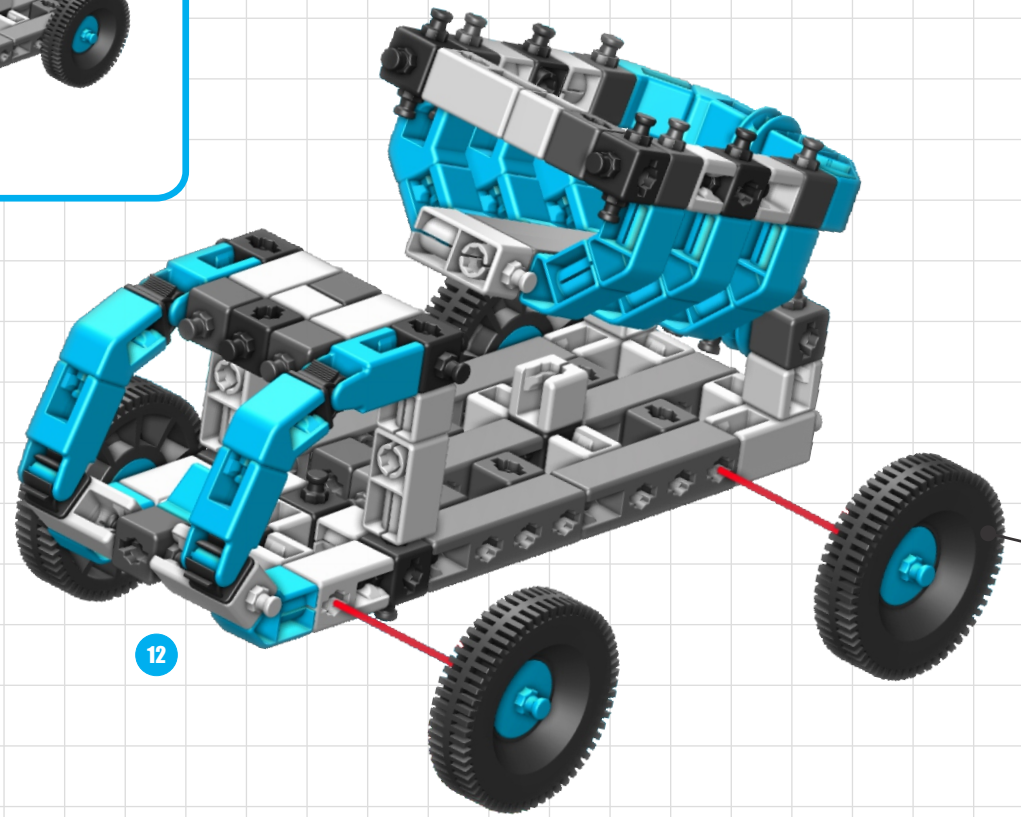
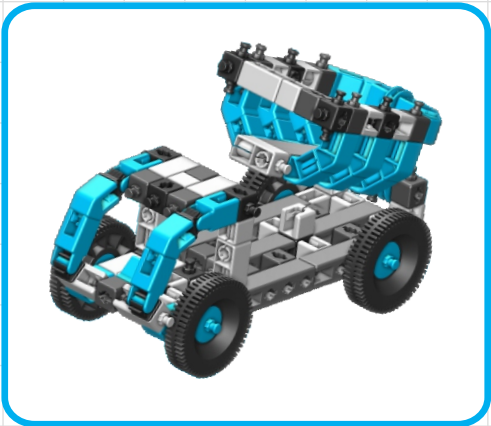
12

12

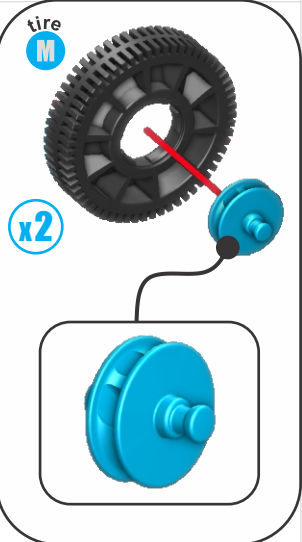


11

13



12



14