

# Bill of materials



# Engine

# Engine

# 3 IN 1

MODELS

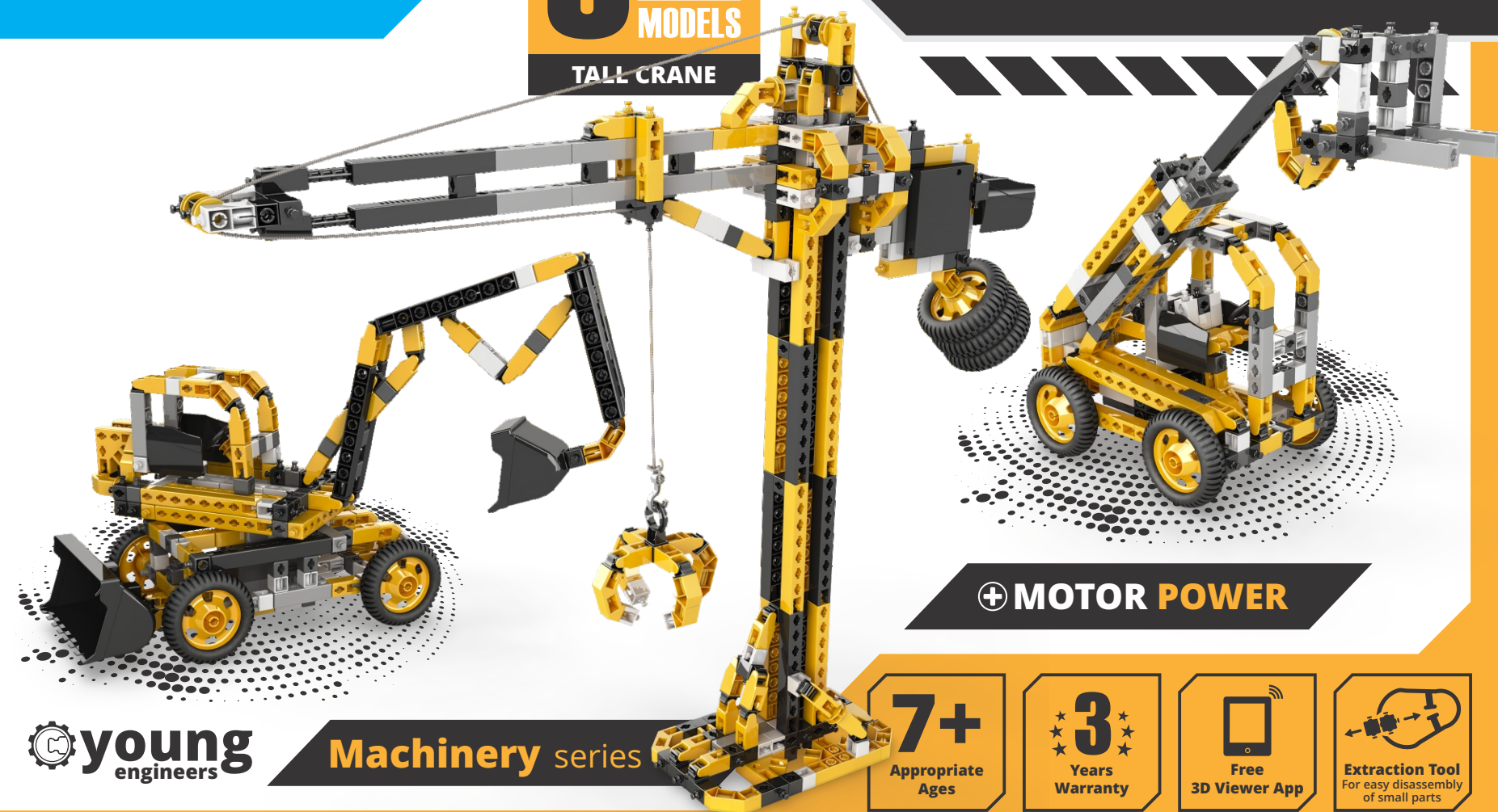
TALL CRANE

# CREATIVE BUILDER

**1** model  
printed instructions (included)



**2** models  
online 3D instructions



**+ MOTOR POWER**

Terms & Conditions: All ENGINE® Resources, including but not limited to parts, electronics, software, theory, activities and building instructions, either in digital or physical format, is protected by patents and copyrights. License is granted only for Private use. Any Commercial use is strictly prohibited, including but not limited to education centers. By using ENGINE® Resources you accept our Terms and Conditions of use. If you need license for commercial use, email to [iplicense@engine.com](mailto:iplicense@engine.com)



**EU OFFICE & FACTORY:**  
 ENGINE-NET LIMITED  
 P.O.BOX 72100, 4200  
 LIMASSOL, CYPRUS  
 Tel.: +357 25821960  
 Fax: +357 25821961  
 E-mail: [info@engine.com](mailto:info@engine.com)  
 Web: [www.engine.com](http://www.engine.com)



**WARNING:**  
 CHOKING HAZARD—Small parts.  
 Not for children under 3 yrs.

Product Code:  
**CB-M40**  
 Edition 3.0

**young engineers**

**Machinery series**

**7+**  
 Appropriate Ages

**3**  
 Years Warranty

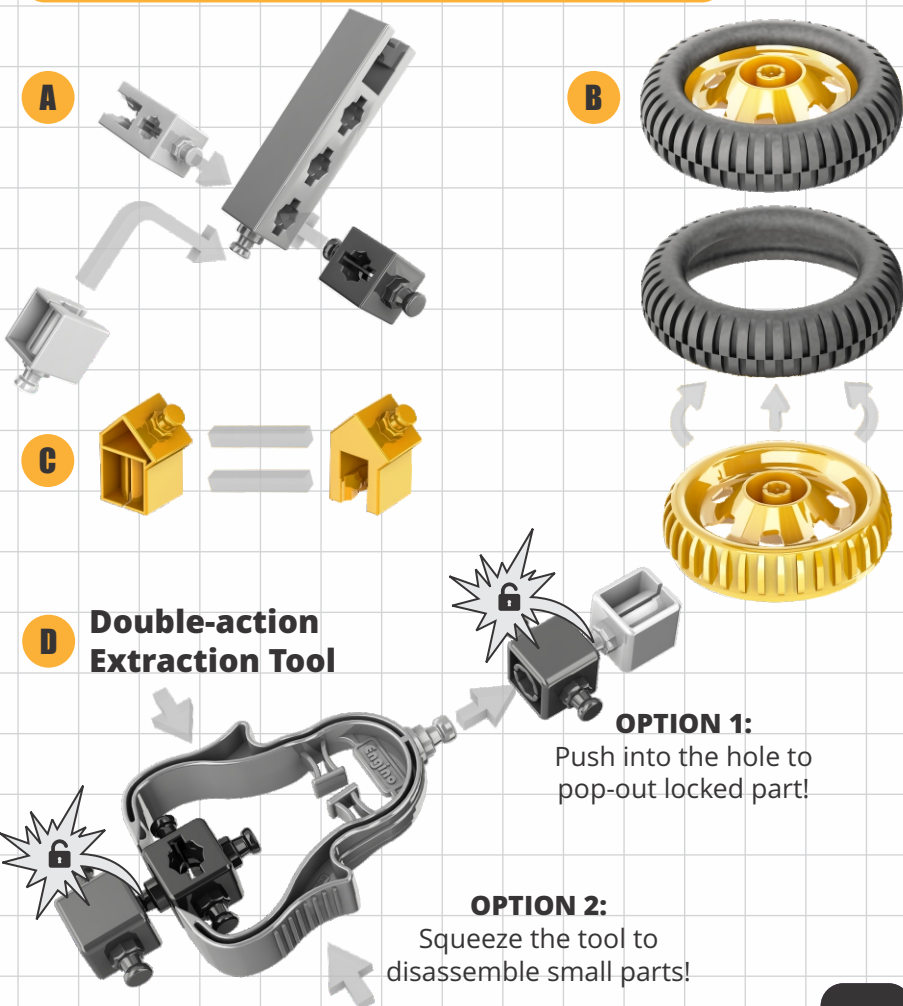
**Free**  
 3D Viewer App

**Extraction Tool**  
 For easy disassembly of small parts

**\*Caution:** This set contains a string longer than 30 cm (12 inches). Keep away from children under the age of 36 months. Danger of strangulation.

© Copyright Engine-Net Limited. All Rights Reserved

## Building Tips

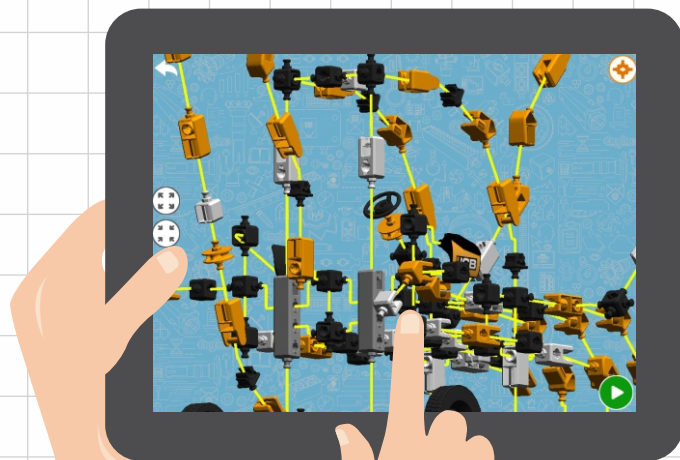


01

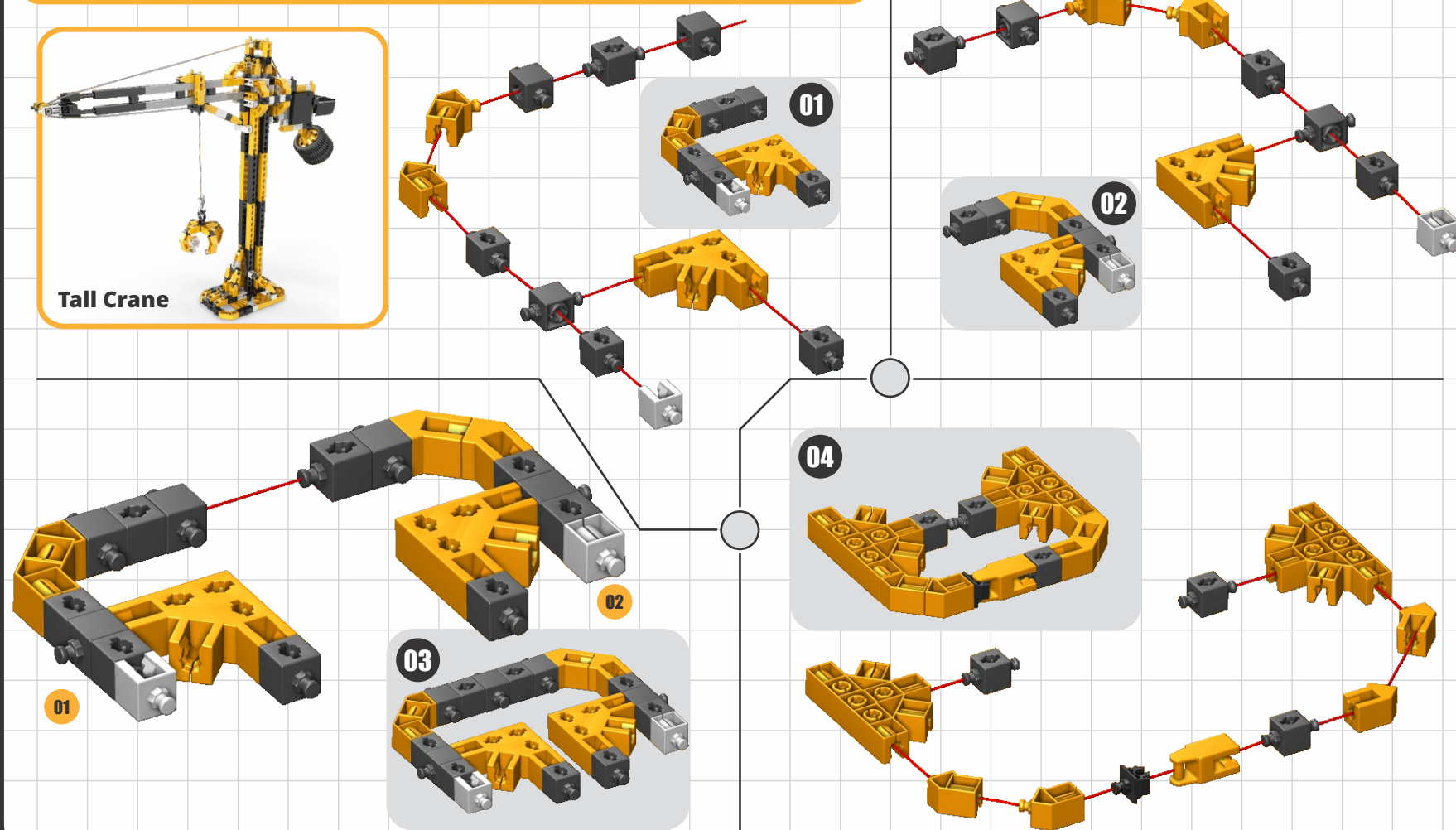
## Free App

Download the app to discover step-by-step instructions in 3D view!

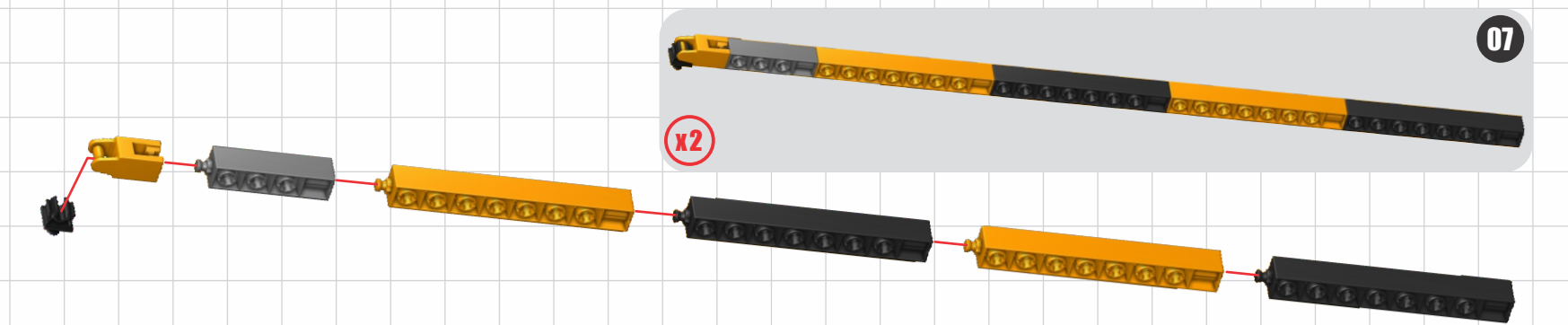
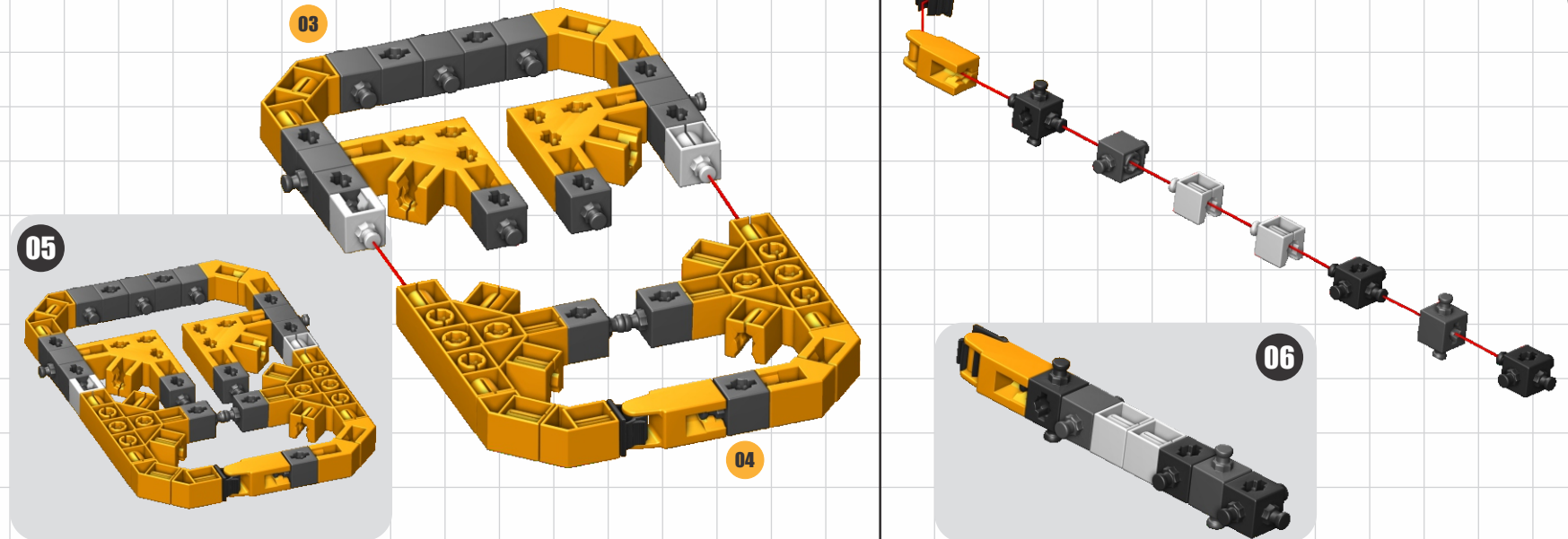
Engino kidCAD (3D Viewer) app:



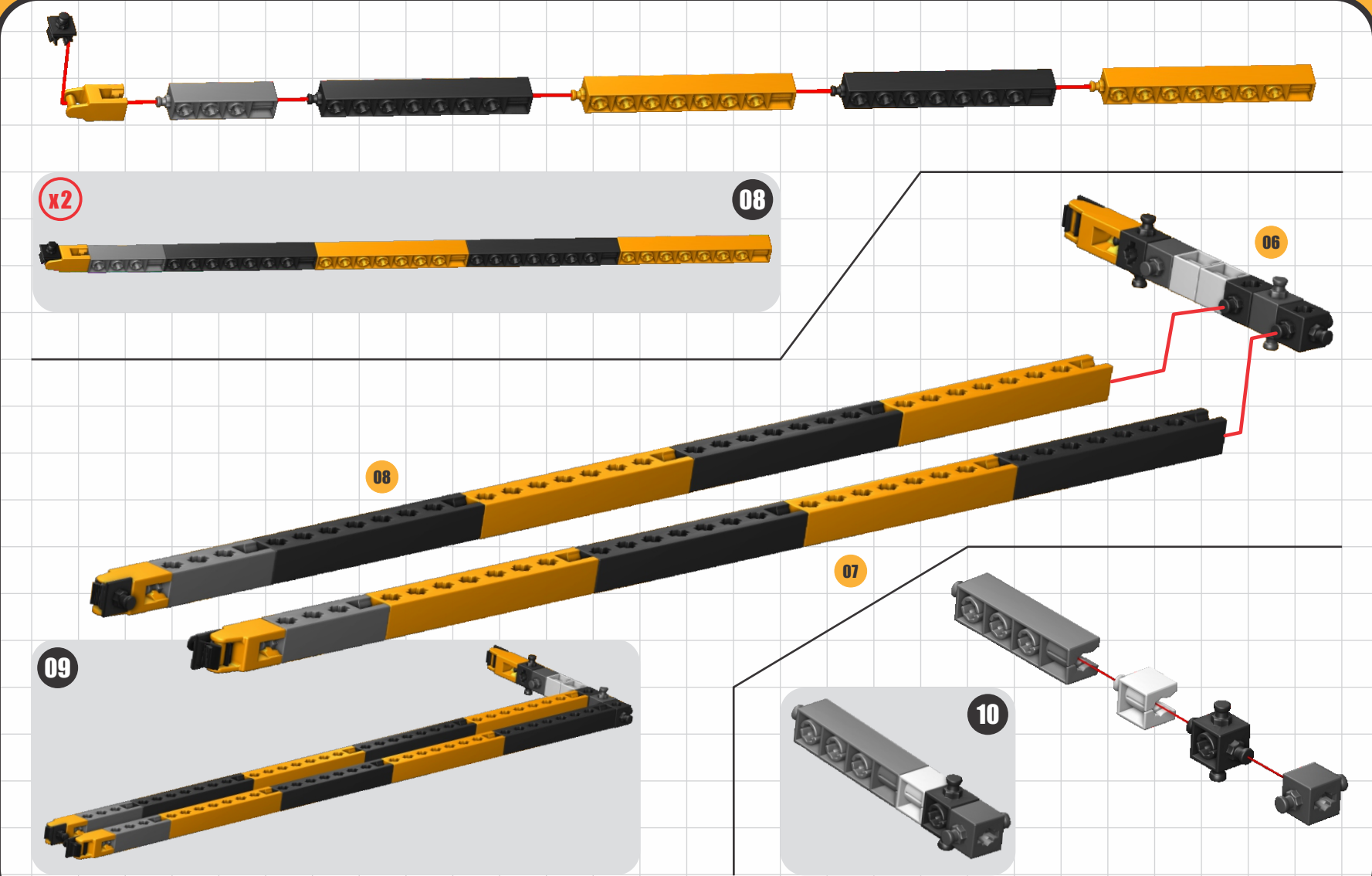
## Building Instructions



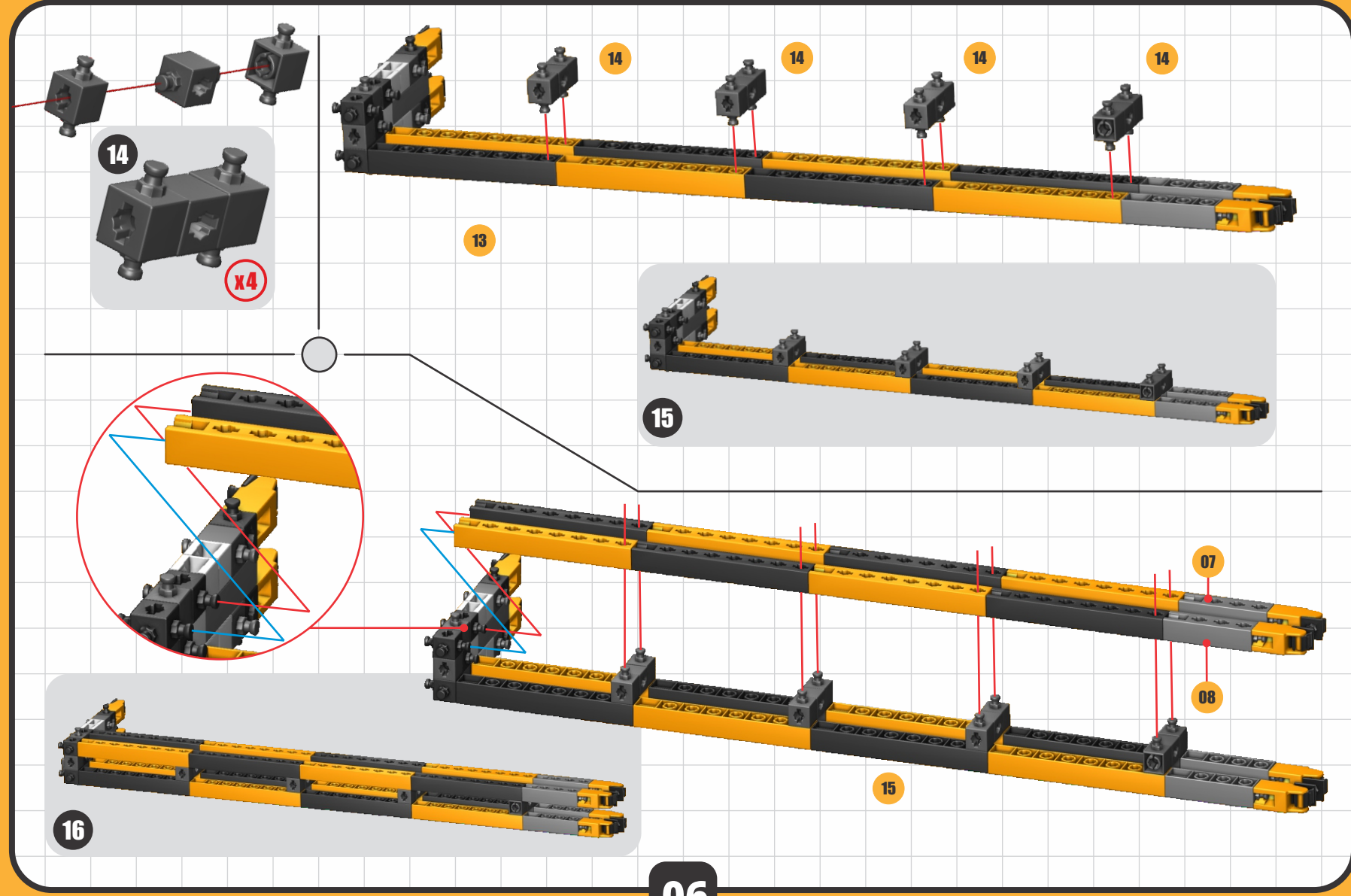
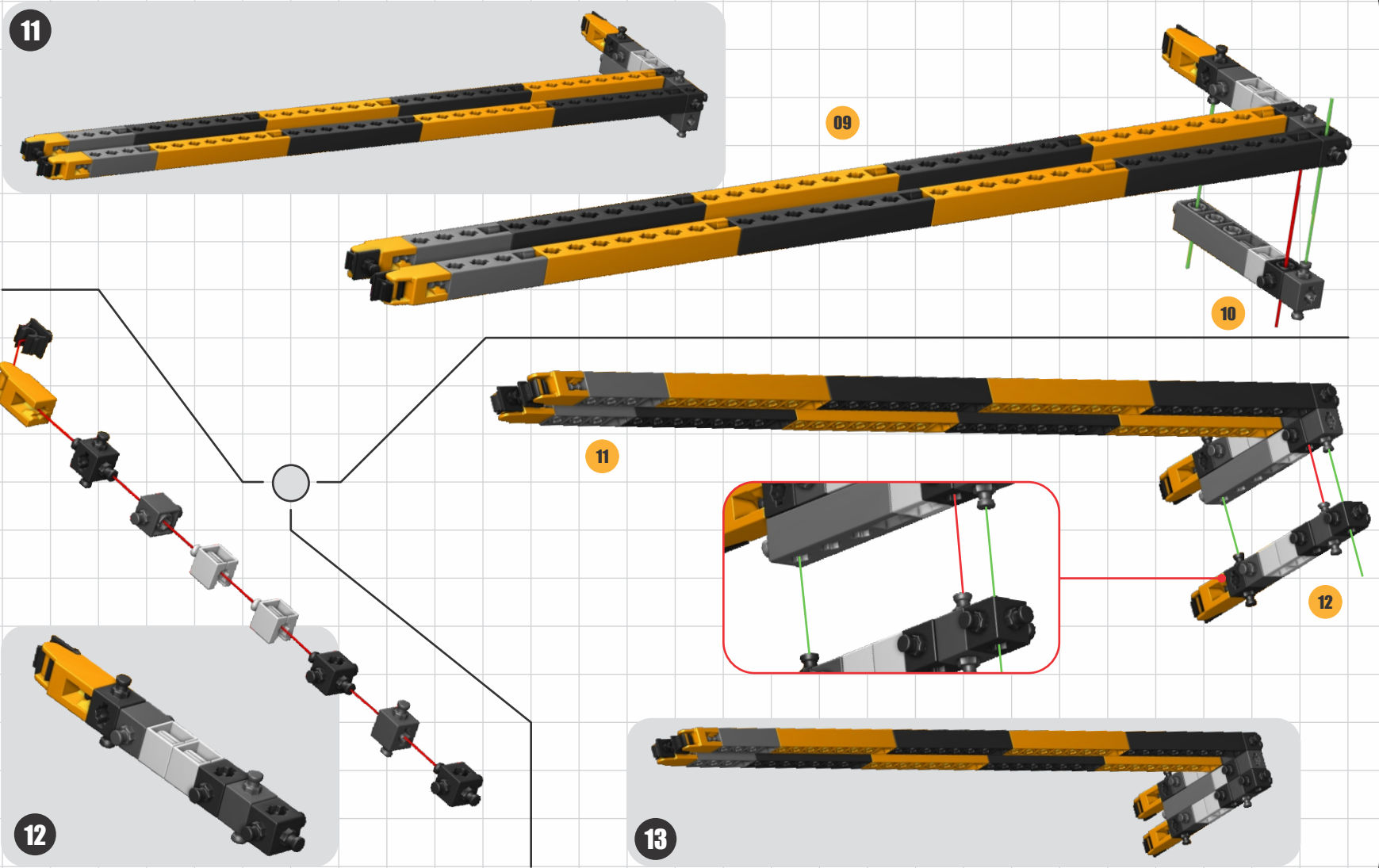
02

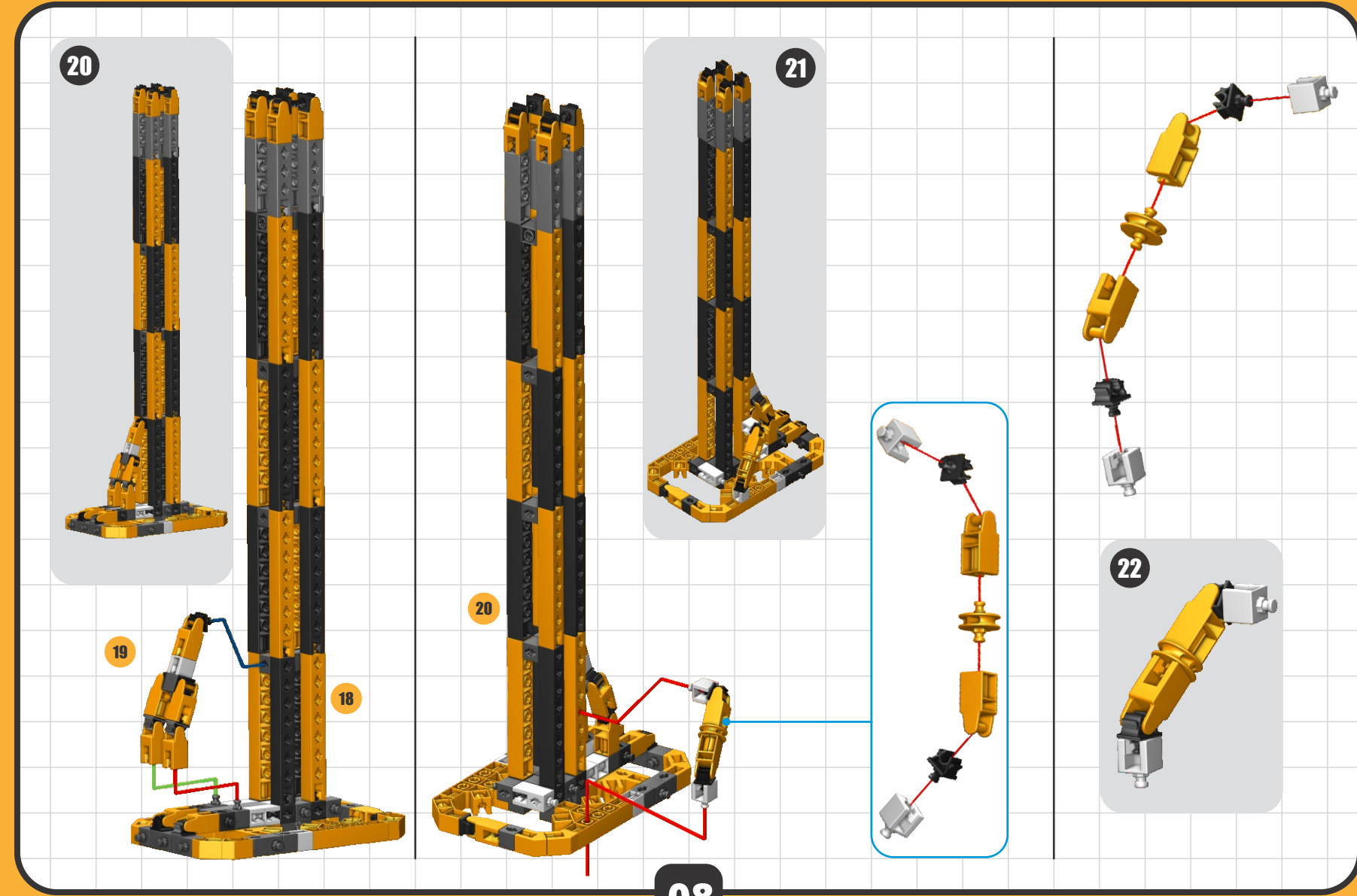
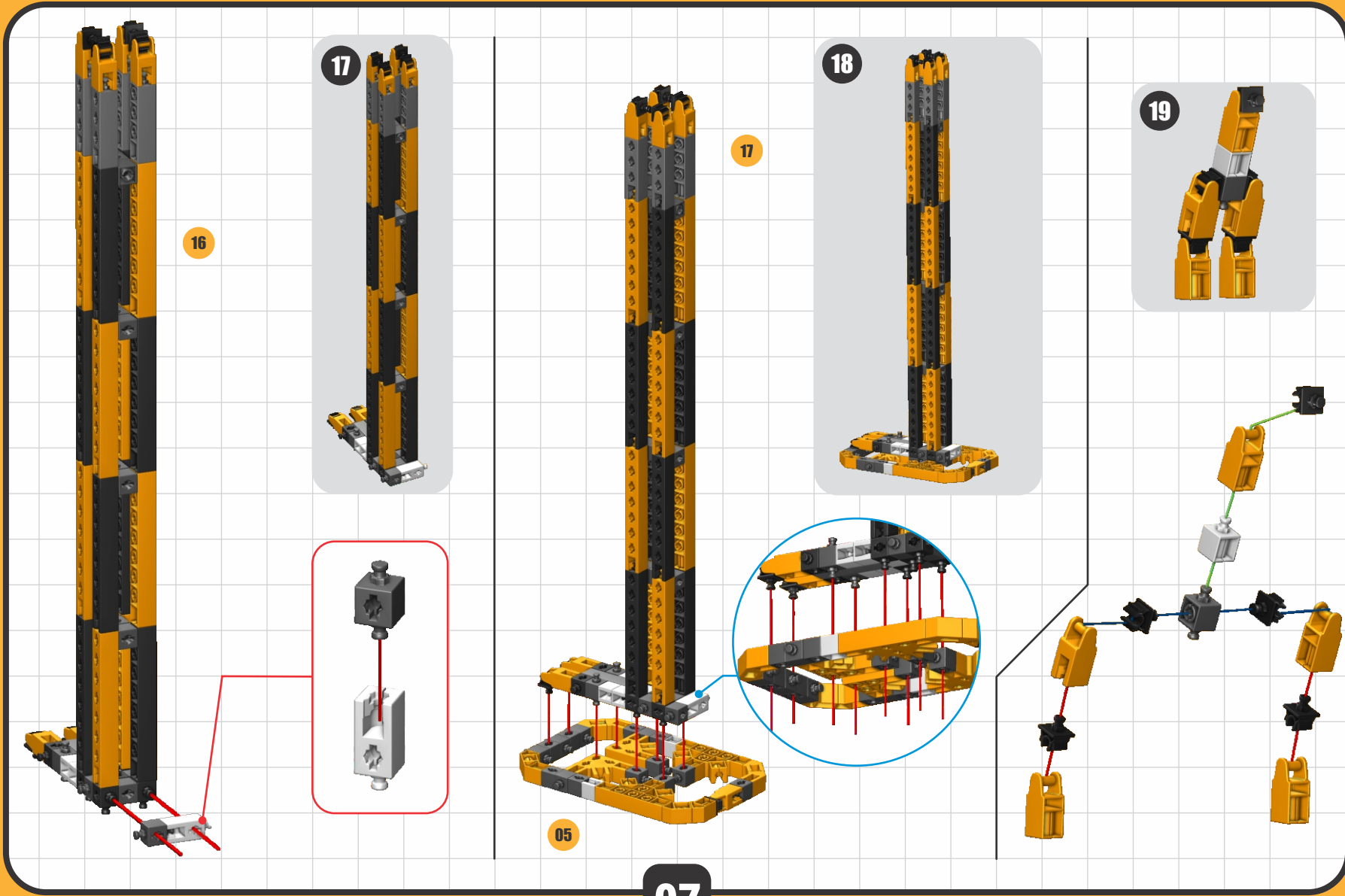


03

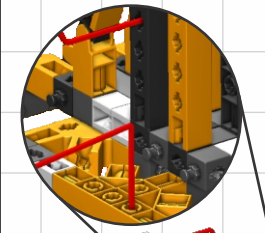
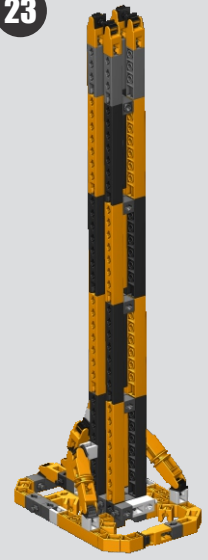


04

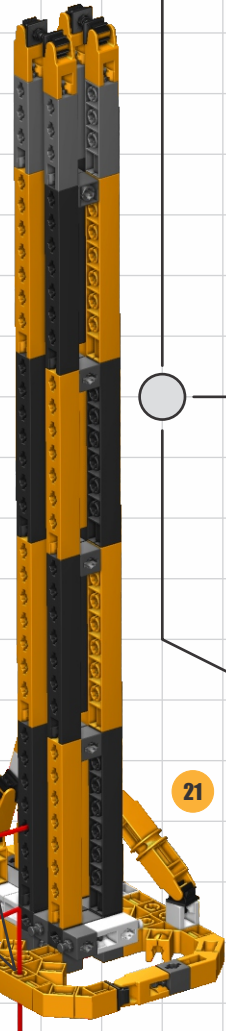




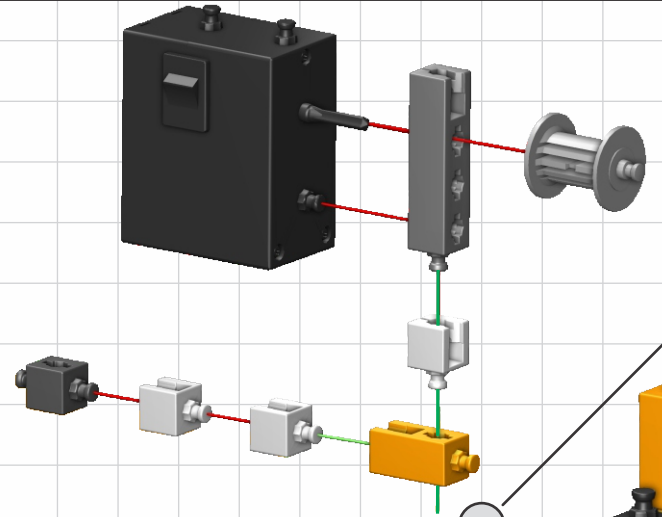
23



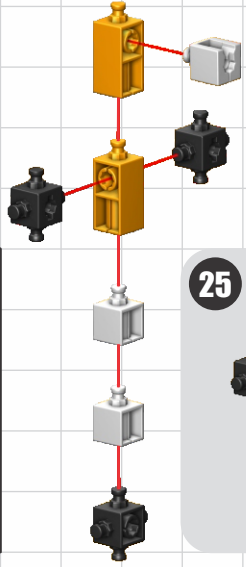
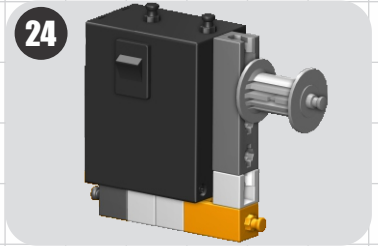
22



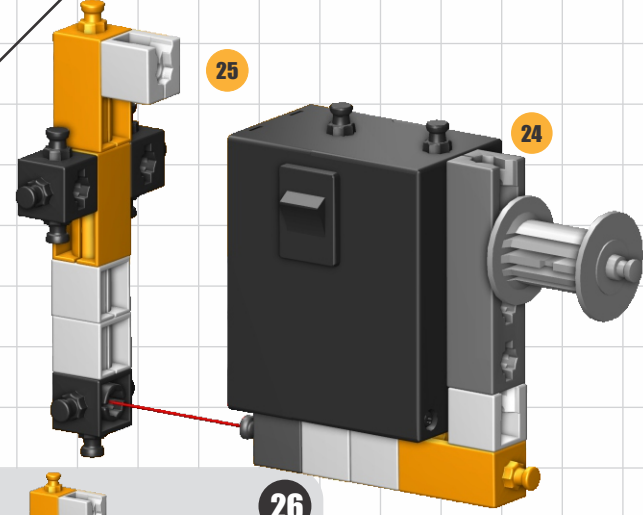
21



24



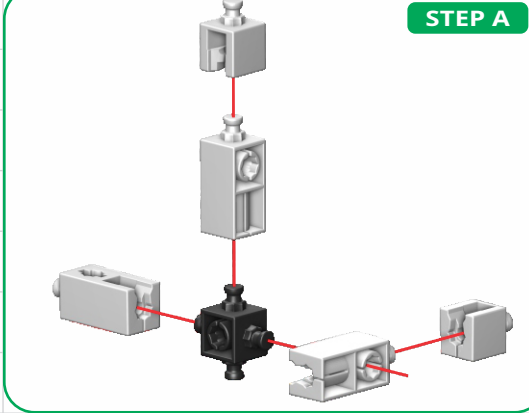
25



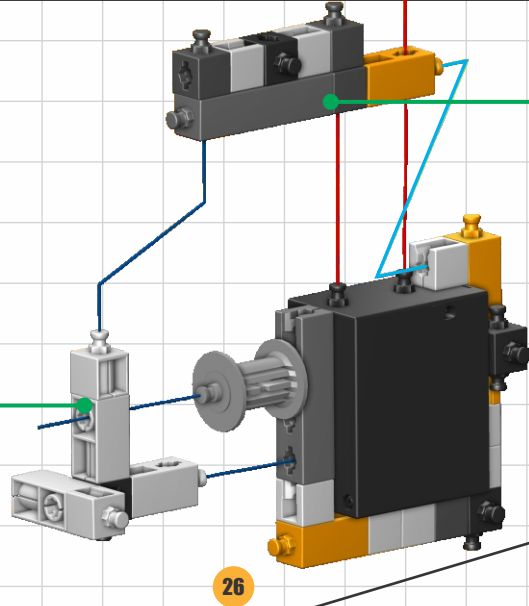
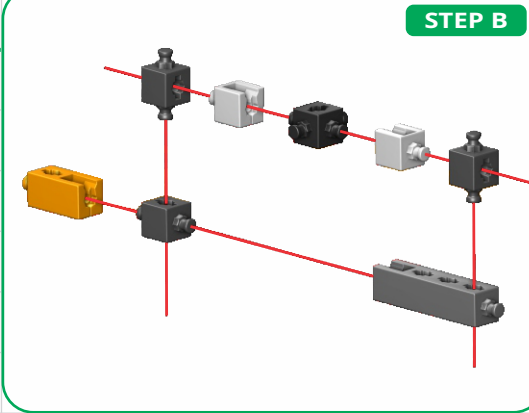
26

09

STEP A

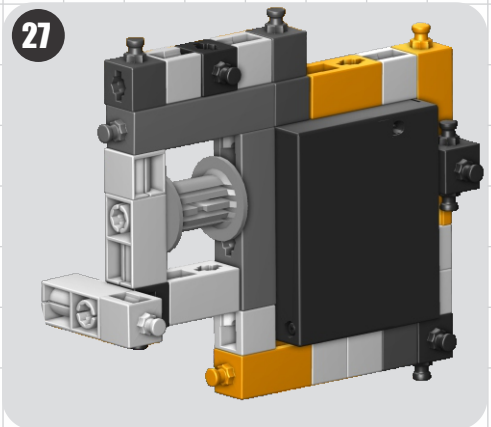


STEP B

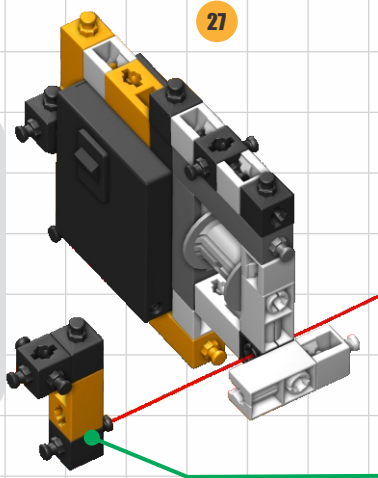
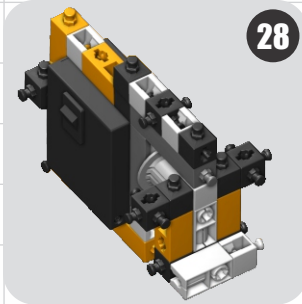


26

27

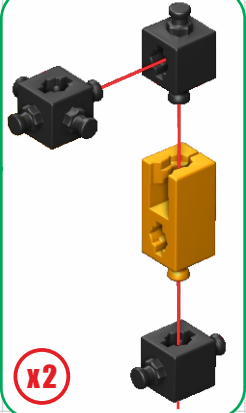


28



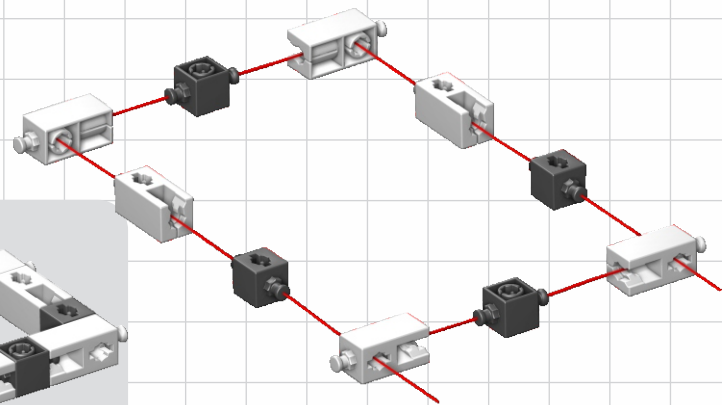
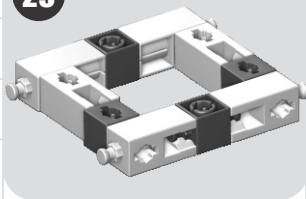
27

x2

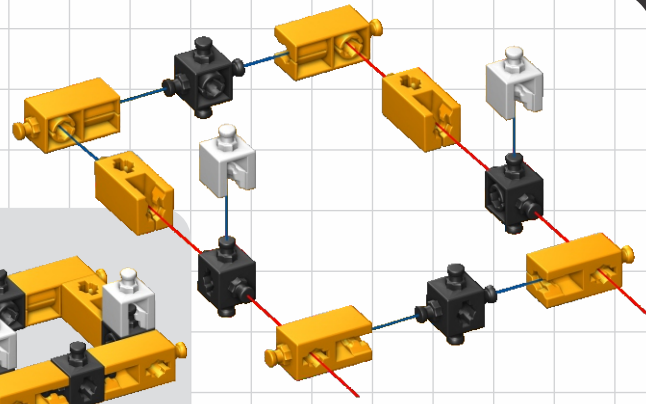
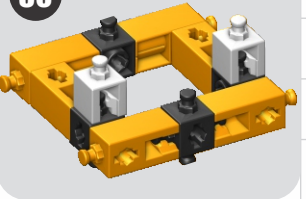


10

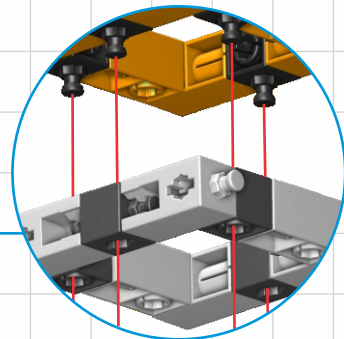
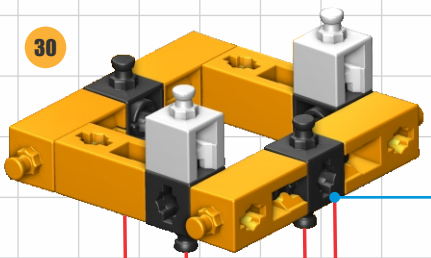
29



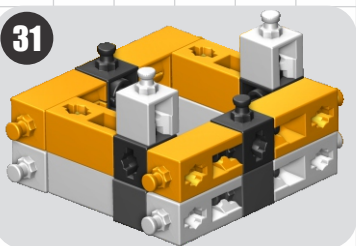
30



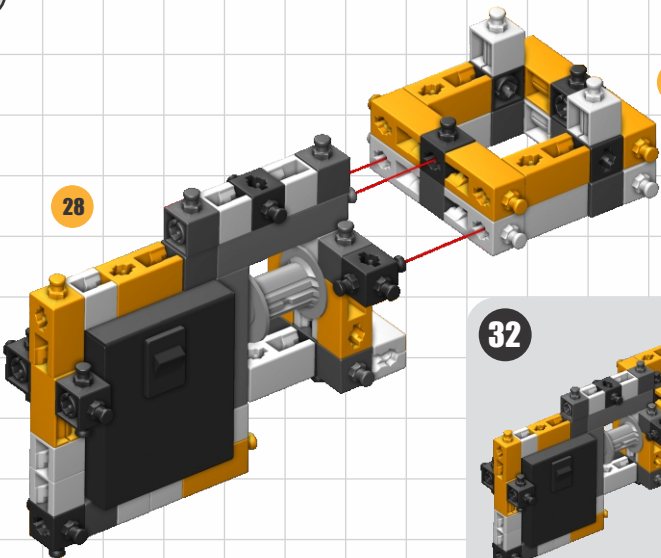
30



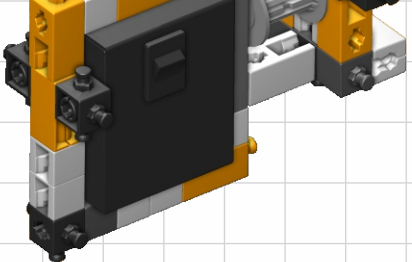
31



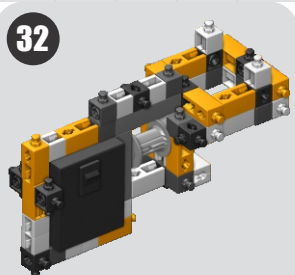
31



28

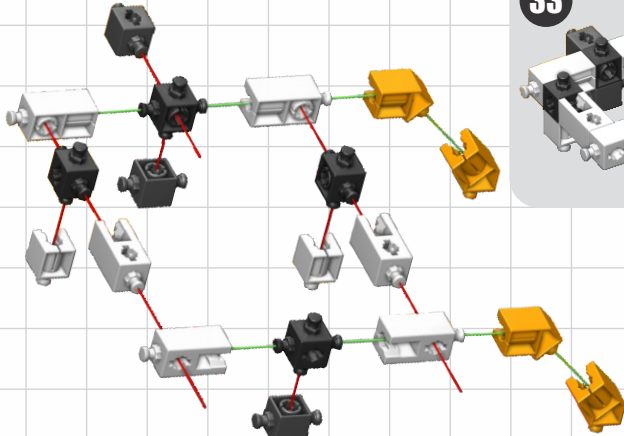
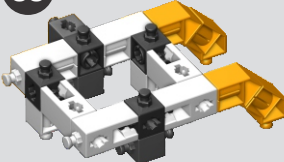


32

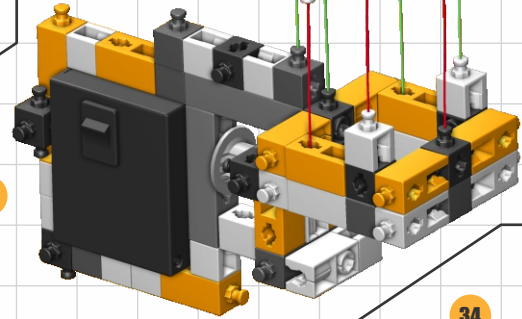


11

33

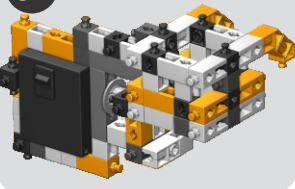


32

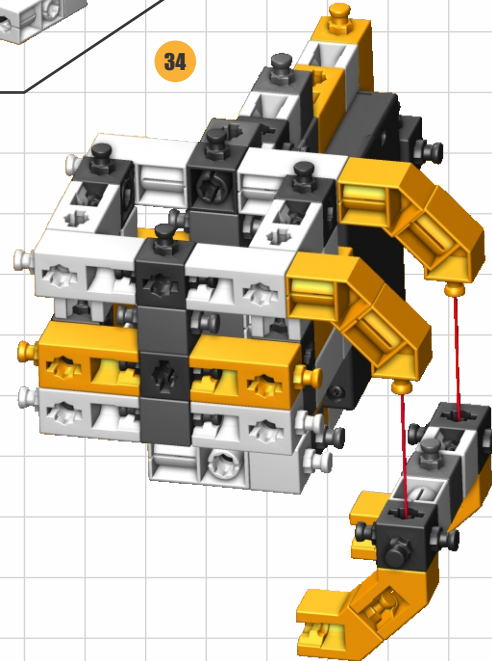


33

34



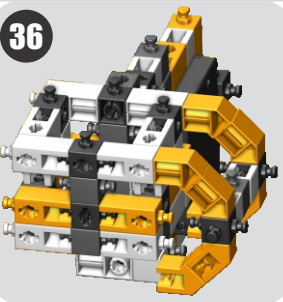
34



35

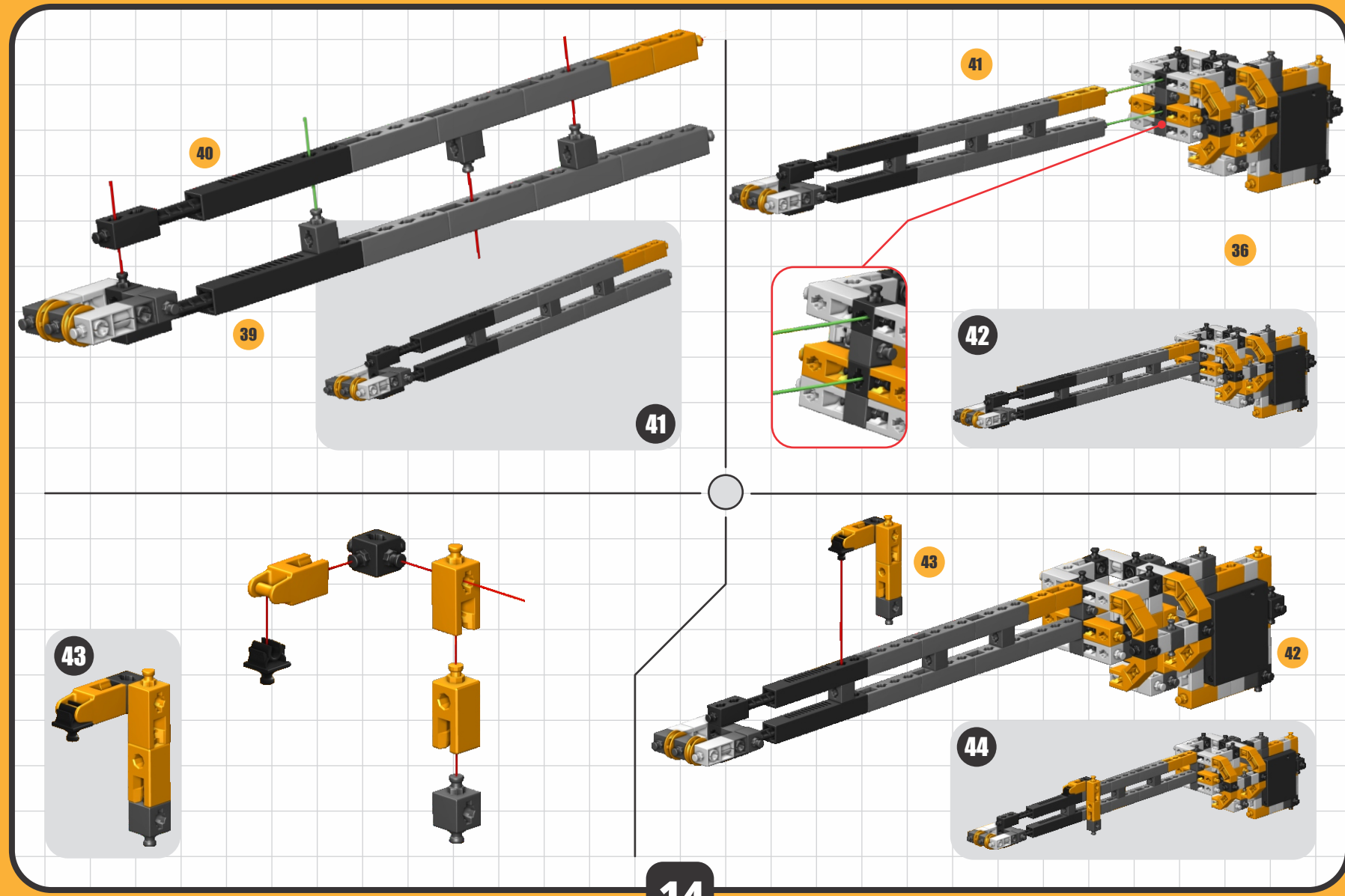
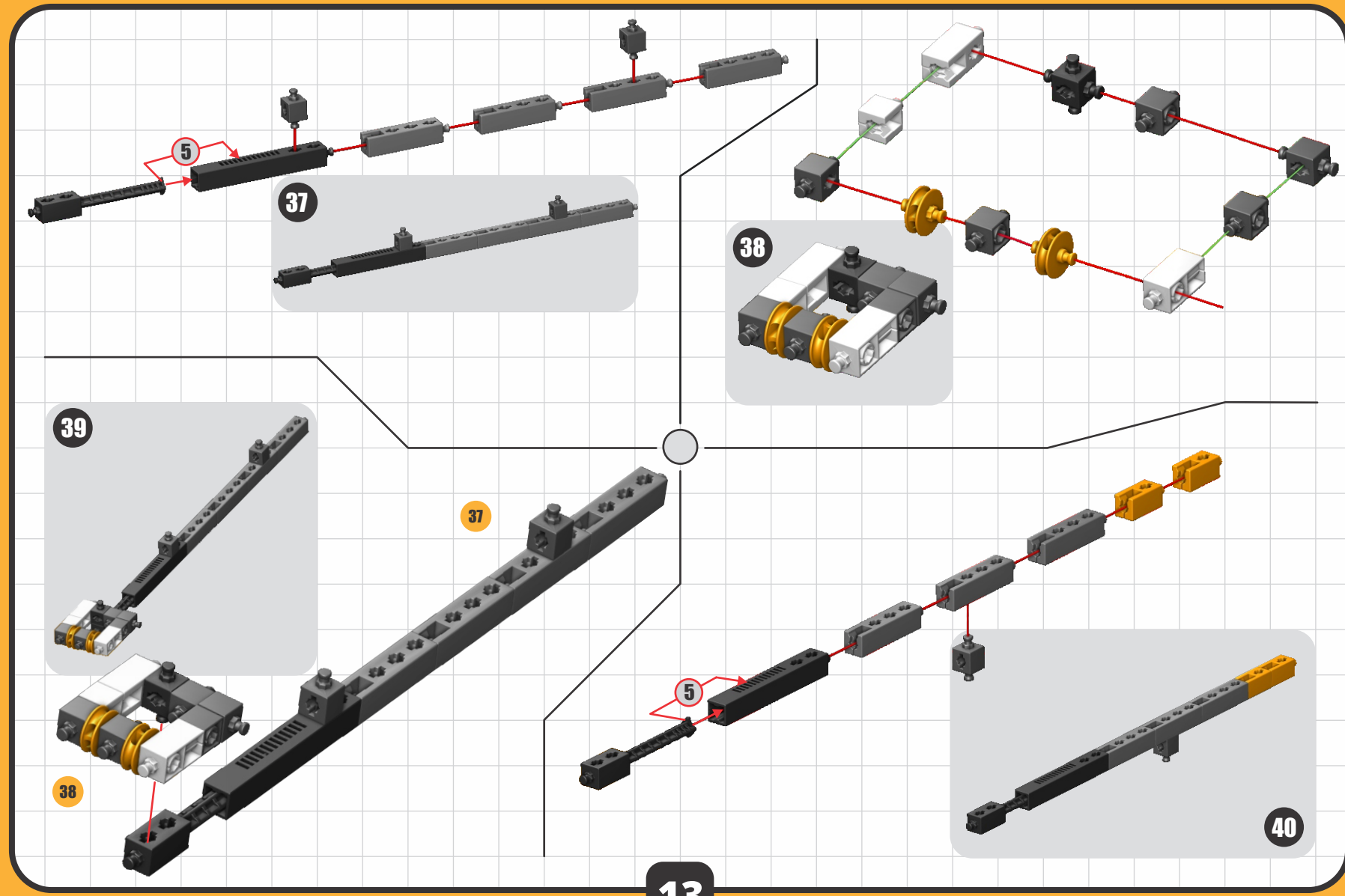


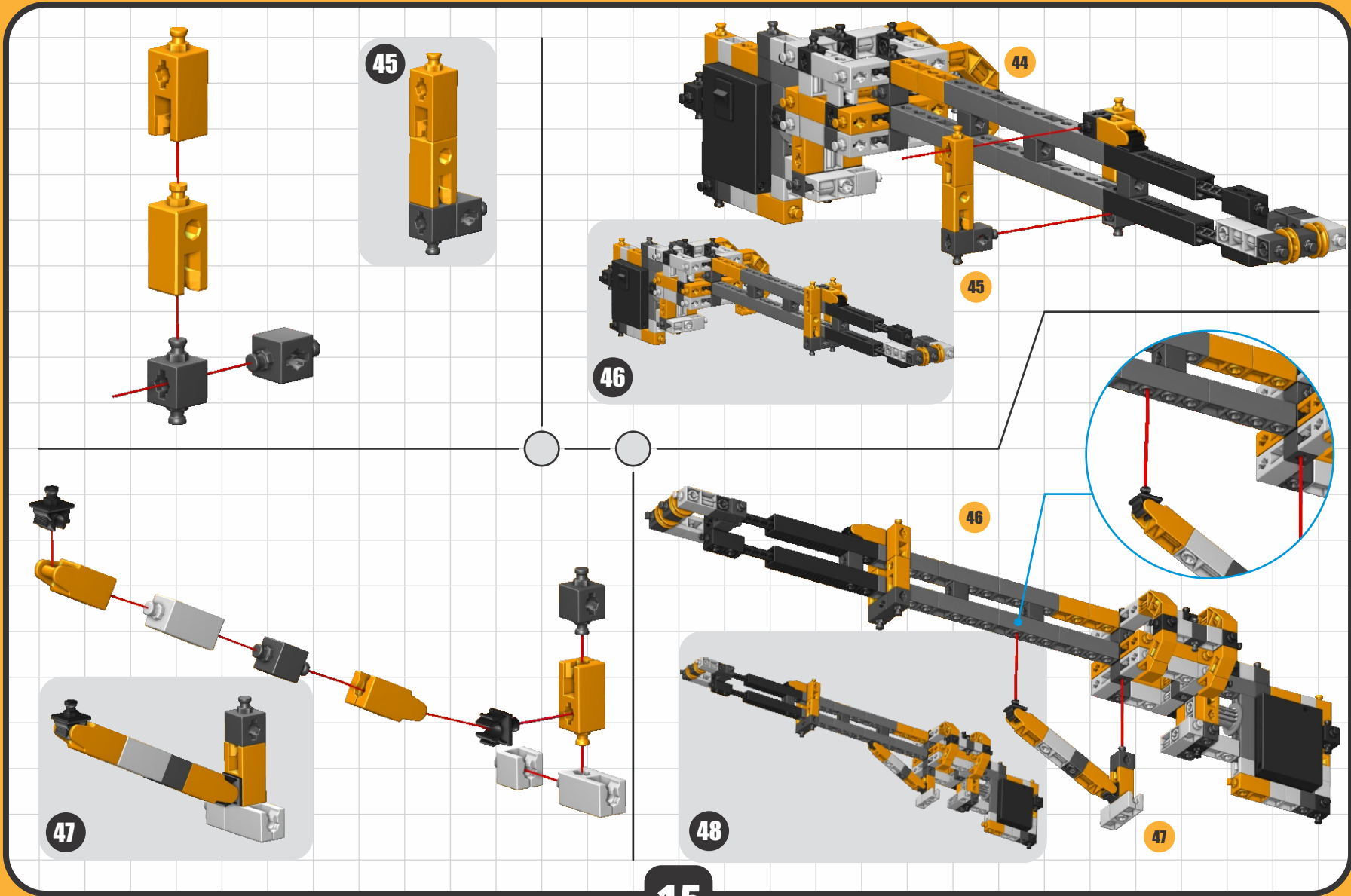
36



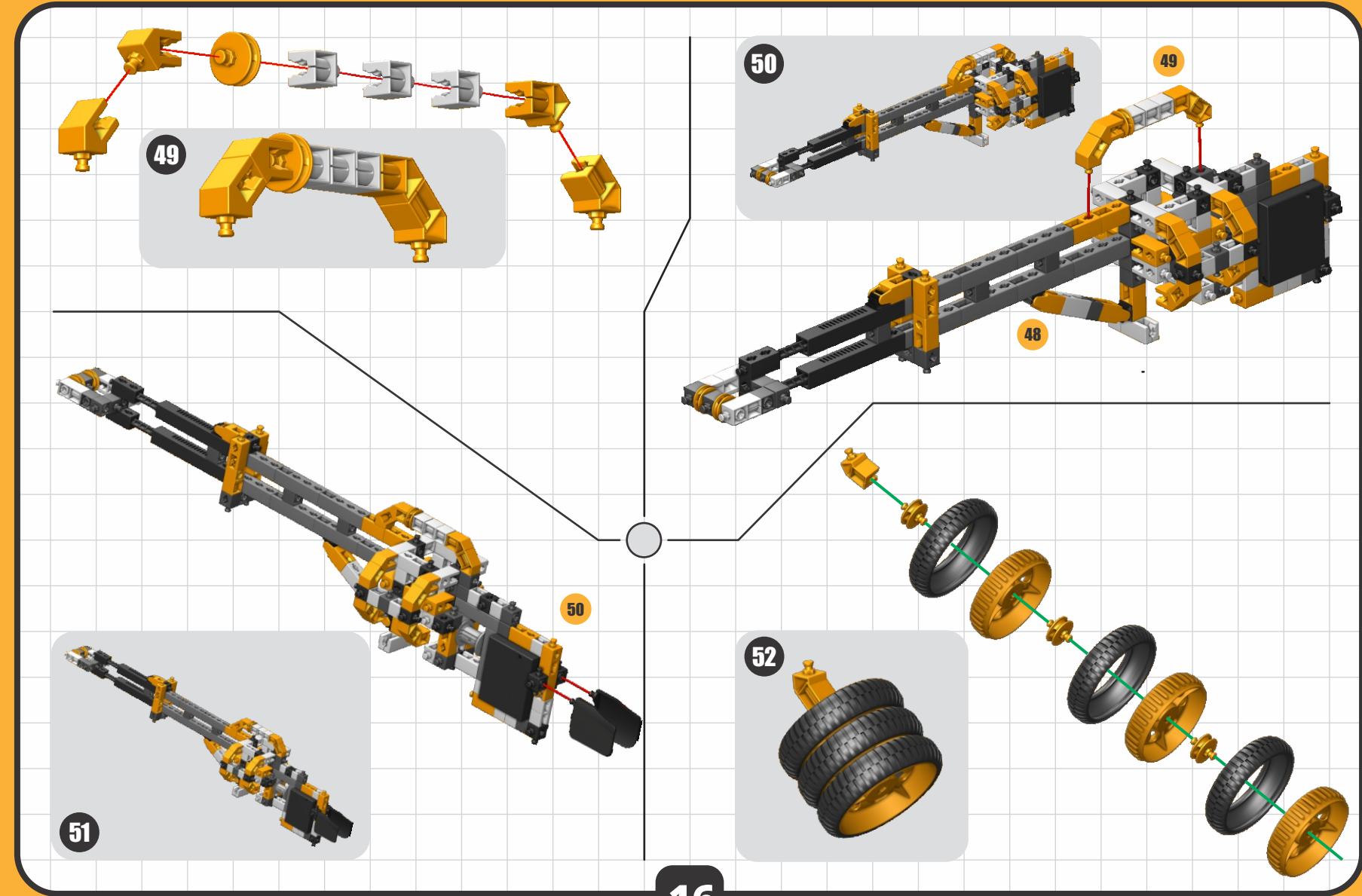
35

12

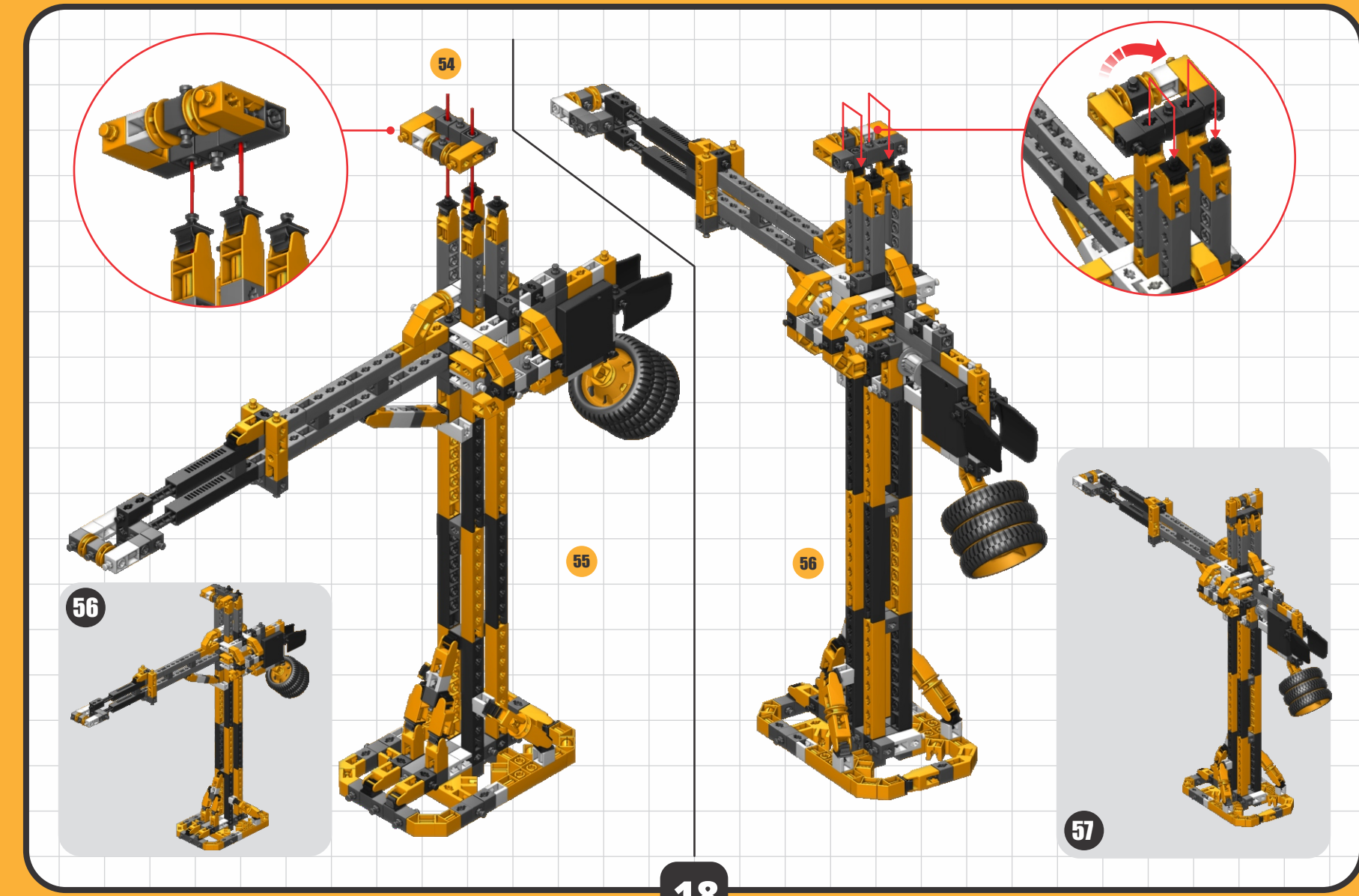
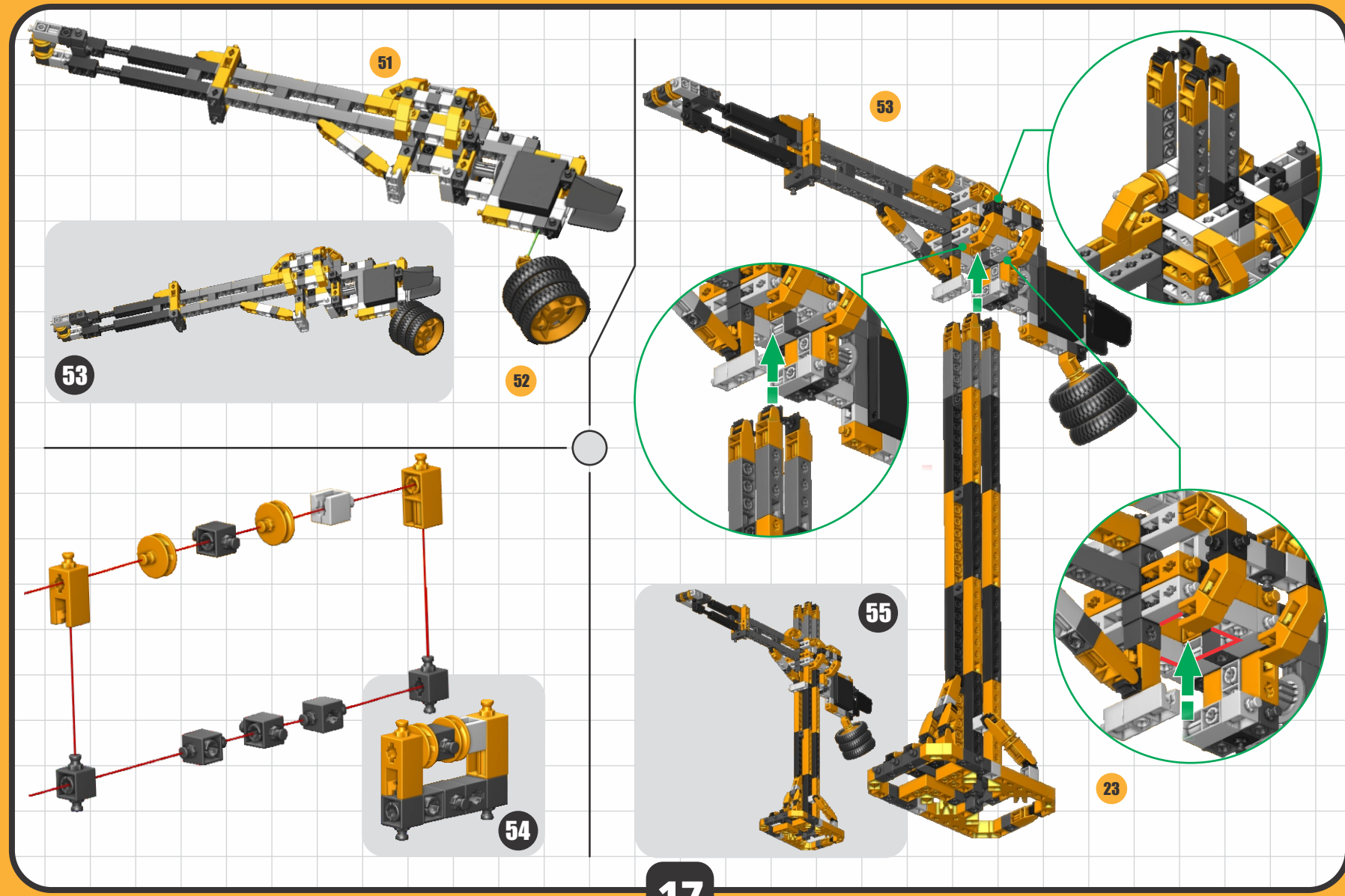


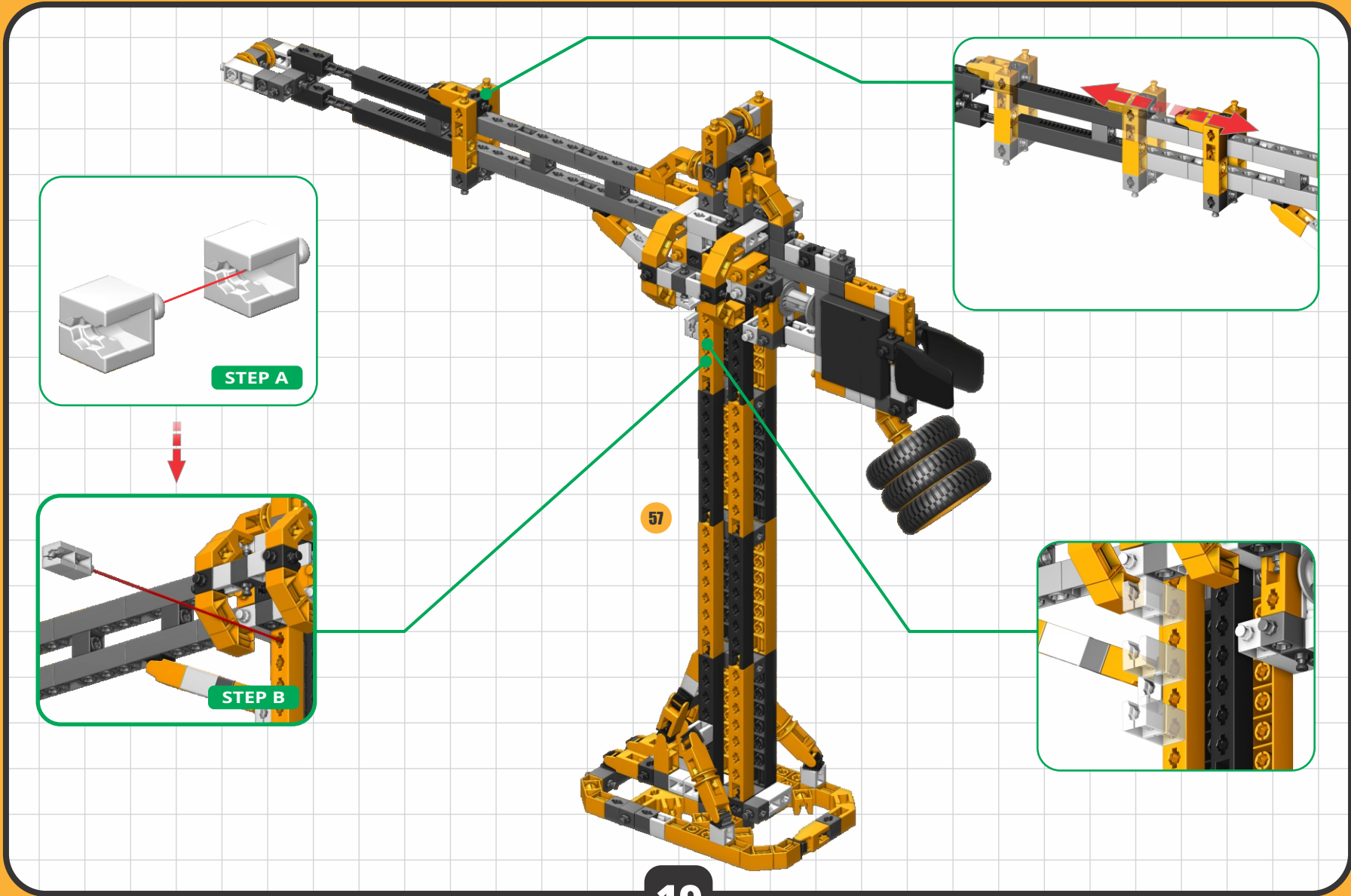


15

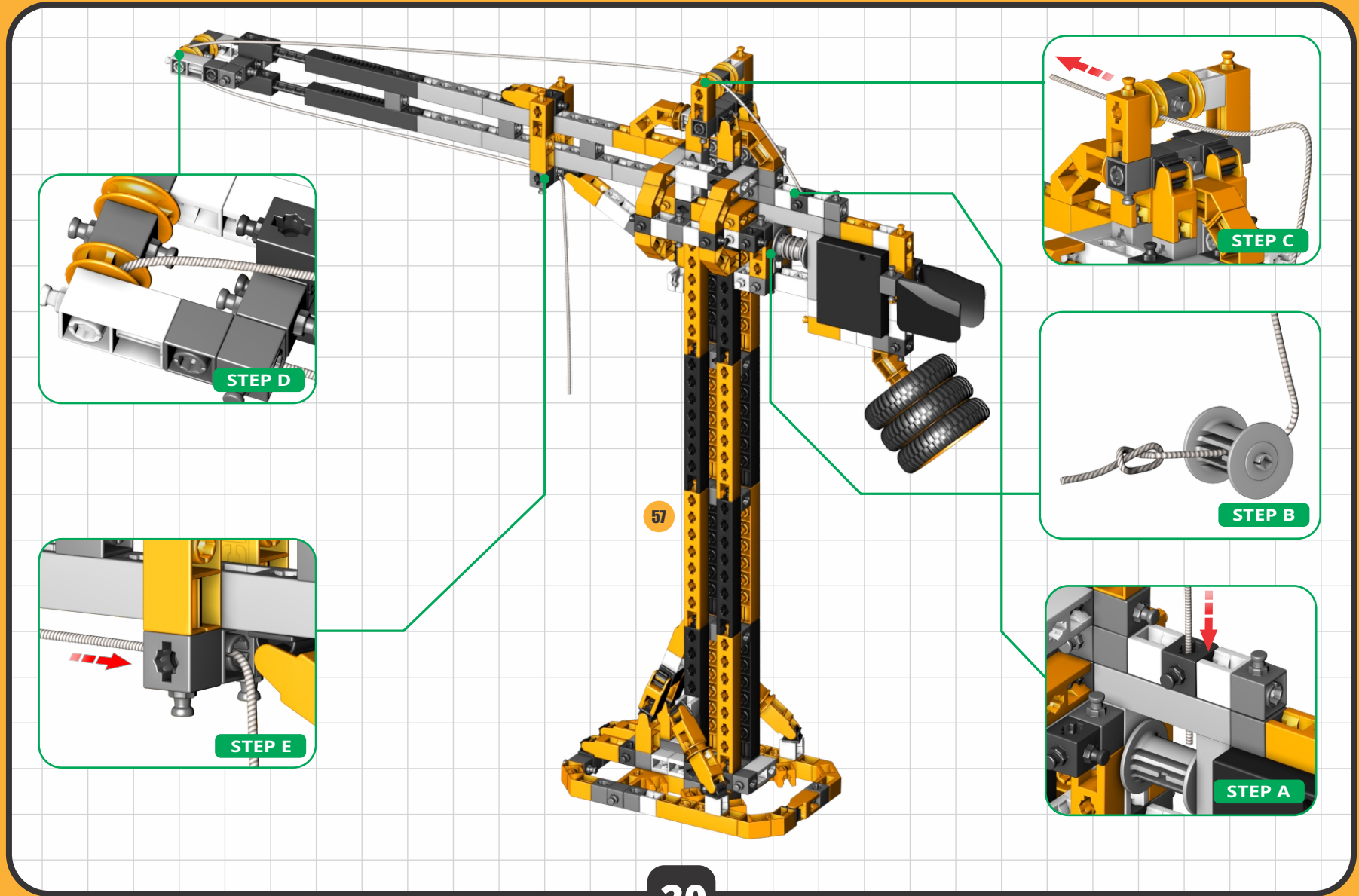


16





19



20

