

Bill of materials



Engineo

Engineo

3 IN 1 MODELS

BACKHOE LOADER

CREATIVE BUILDER

1 printed instructions (included)



2 online 3D instructions



Terms & Conditions: All ENGINEO® Resources, including but not limited to parts, electronics, software, theory, activities and building instructions, either in digital or physical format, is protected by patents and copyrights. License is granted only for Private use. Any Commercial use is strictly prohibited, including but not limited to education centers. By using ENGINEO® Resources you accept our Terms and Conditions of use. If you need license for commercial use, email to iplicense@engineo.com



EU OFFICE & FACTORY:
 ENGINEO-NET LIMITED
 P.O.BOX 72100, 4200
 LIMASSOL, CYPRUS
 Tel.: +357 25821960
 Fax: +357 25821961
 E-mail: info@engineo.com
 Web: www.engineo.com

Made in **EUROPE**

WARNING:
 CHOKING HAZARD—Small parts.
 Not for children under 3 yrs.

Product Code:
CB-M30
 Edition 3.0

young engineers

Machinery series

6+
 Appropriate Ages

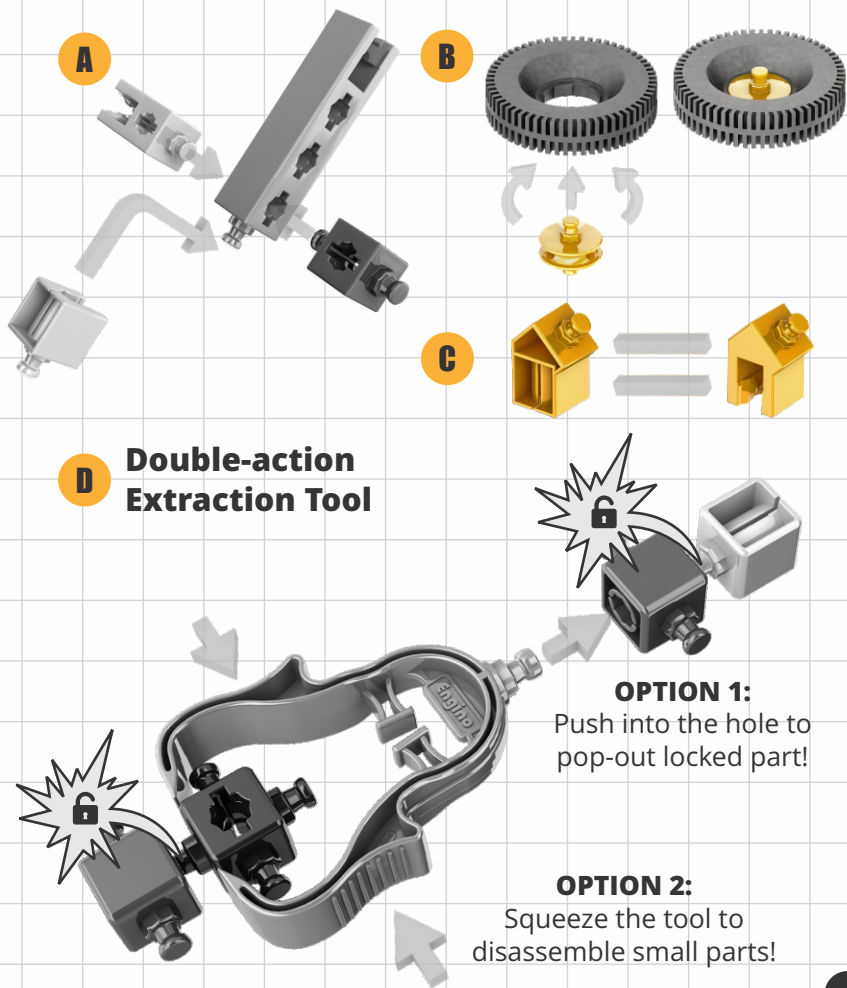
3
 Years Warranty

Free 3D Viewer App

Extraction Tool
 For easy disassembly of small parts

© Copyright Engineo-Net Limited. All Rights Reserved

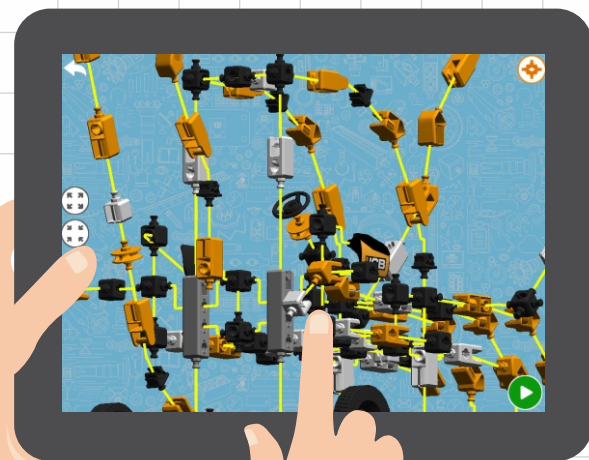
Building Tips



Free App

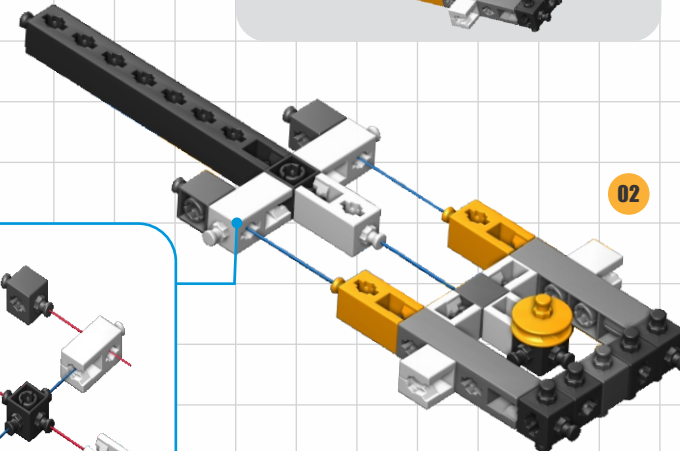
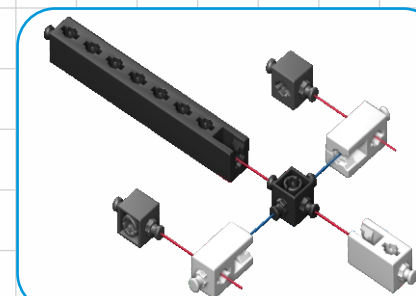
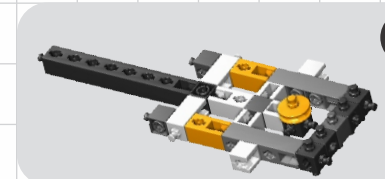
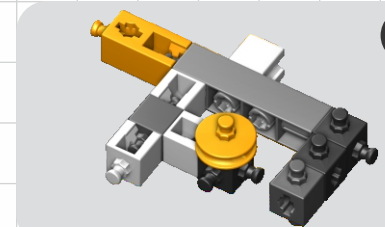
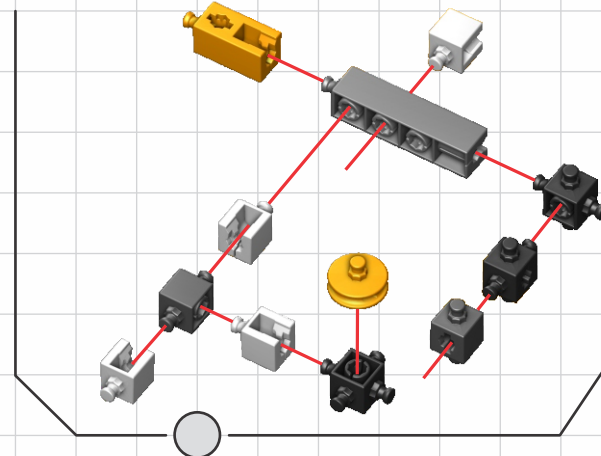
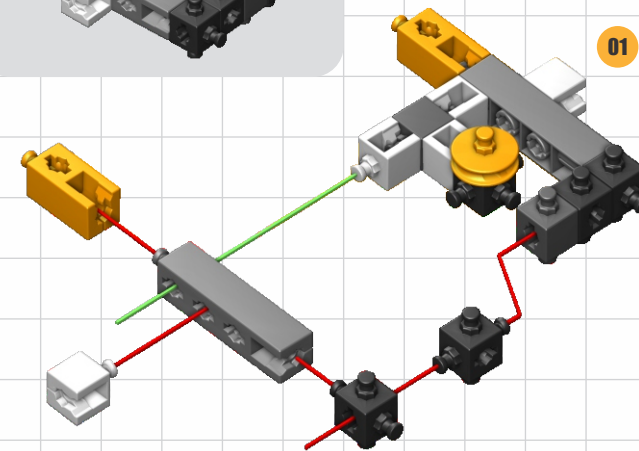
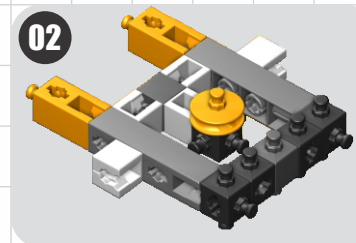
Download the app to discover step-by-step instructions in 3D view!

Engino kidCAD (3D Viewer) app:



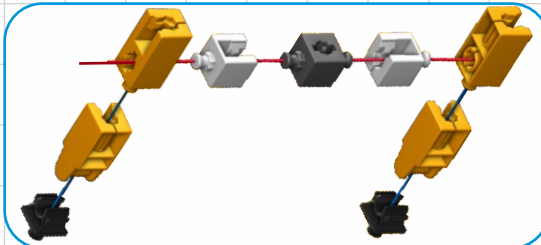
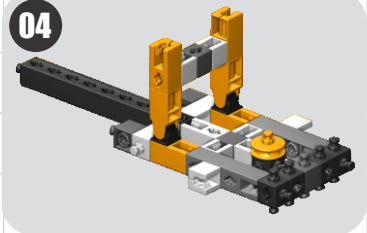
01

Building Instructions

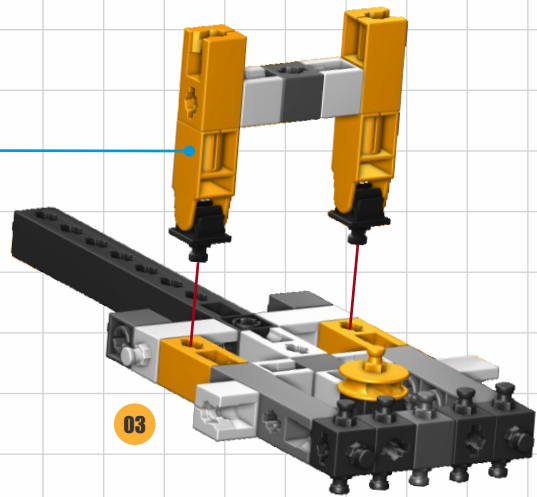


02

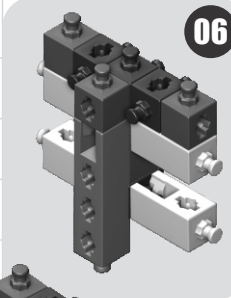
04



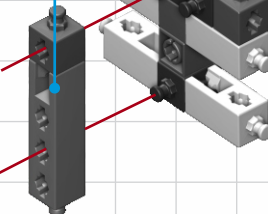
03



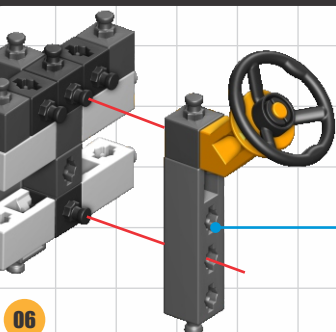
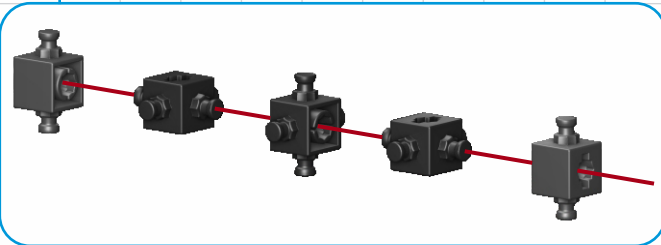
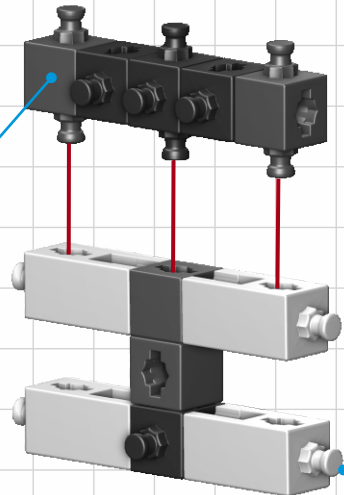
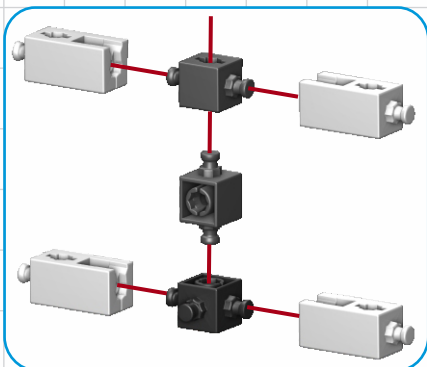
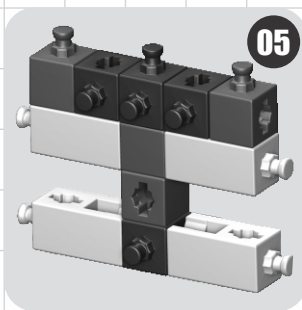
06



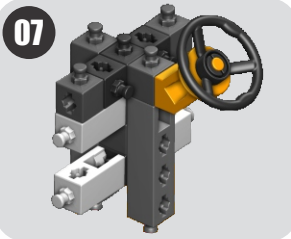
05



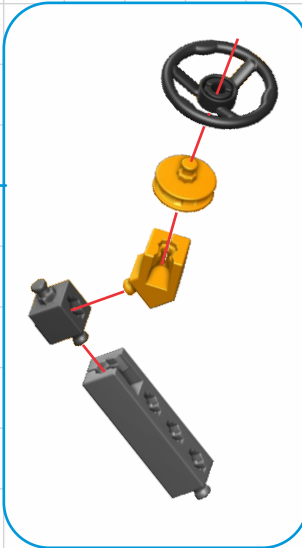
03



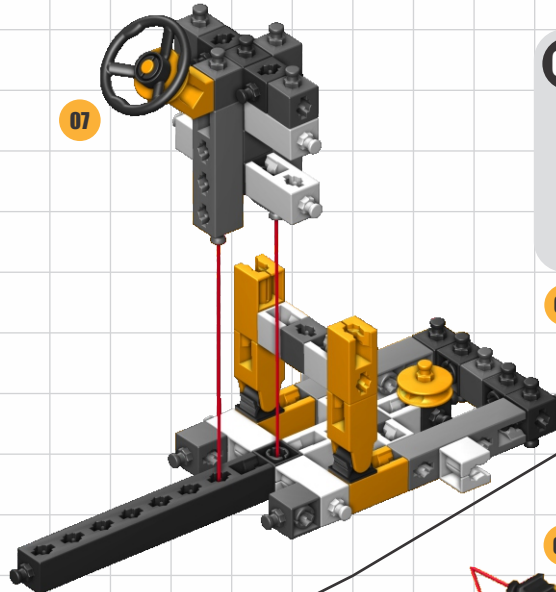
06



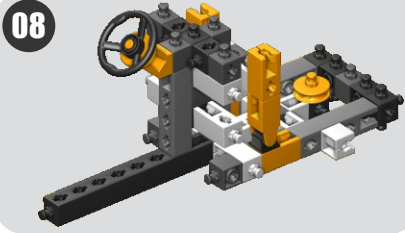
07



07

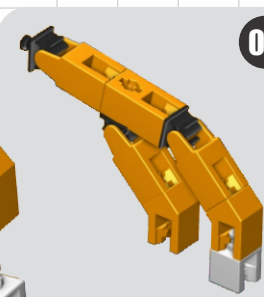


08

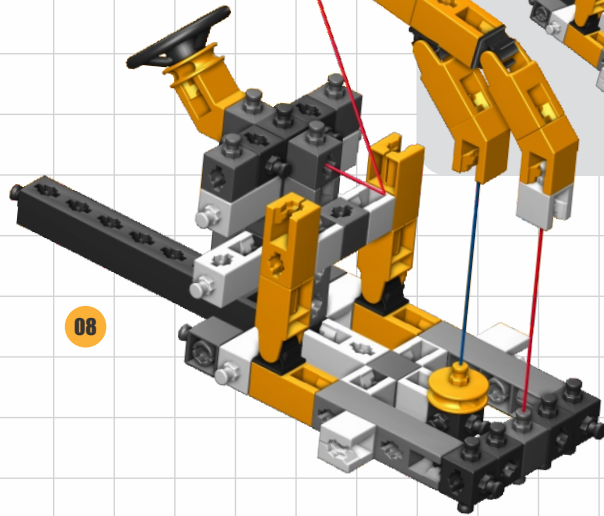


04

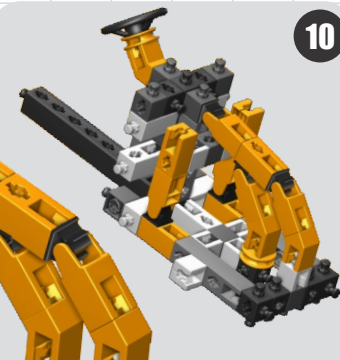
09



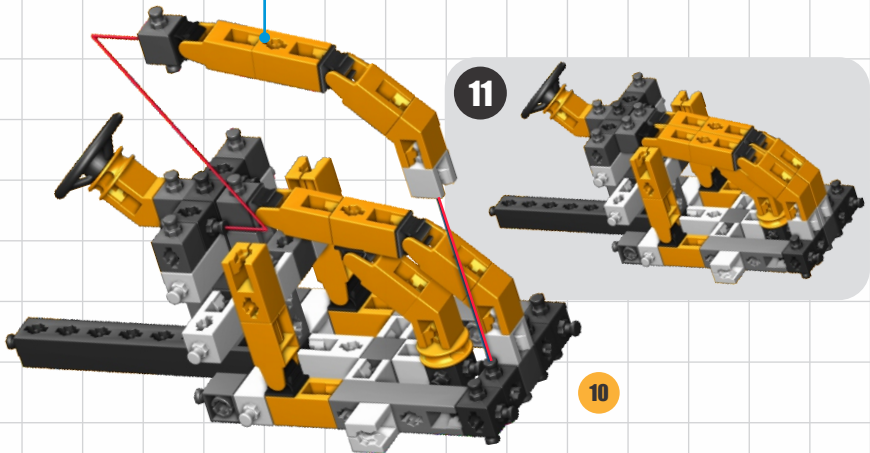
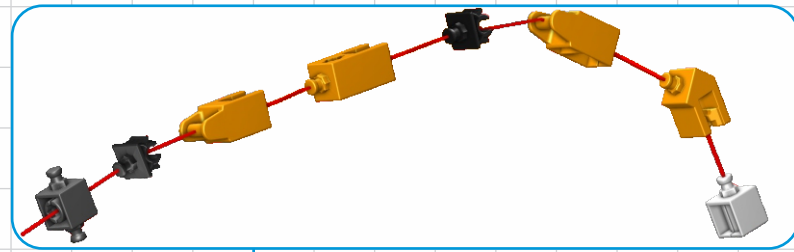
08



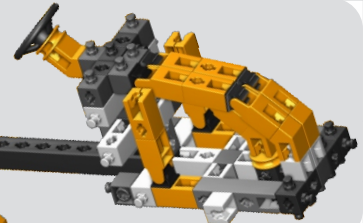
10



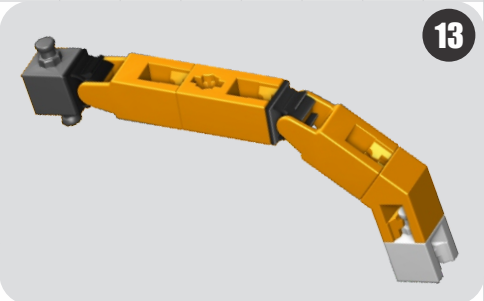
04



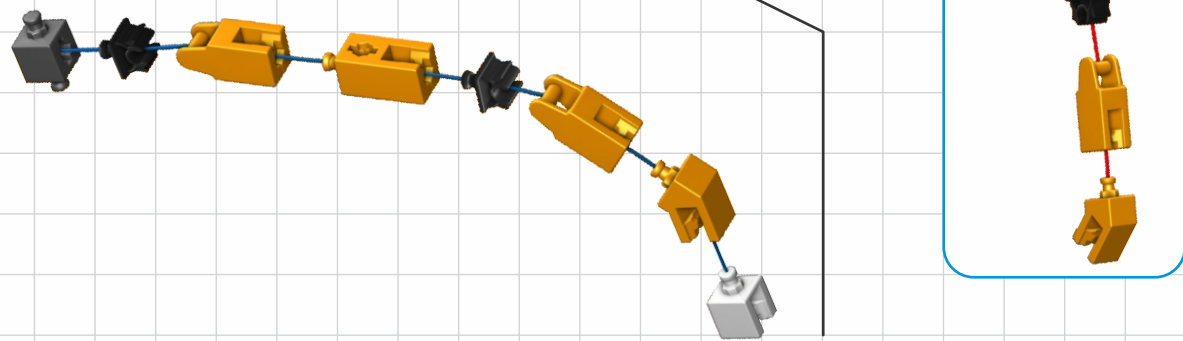
11



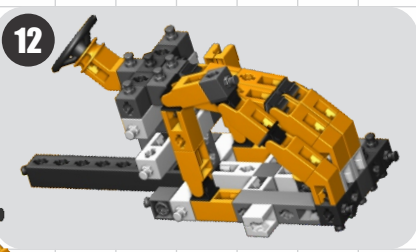
10



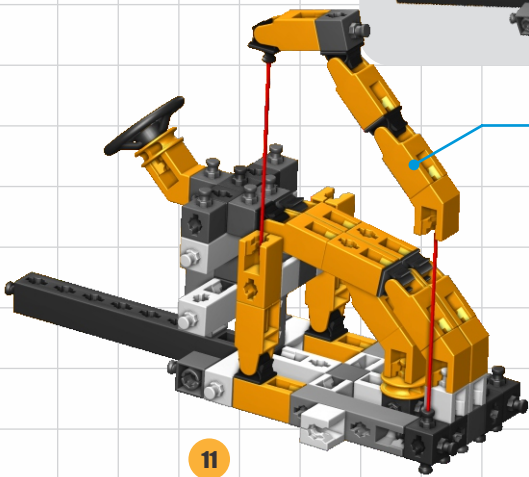
13



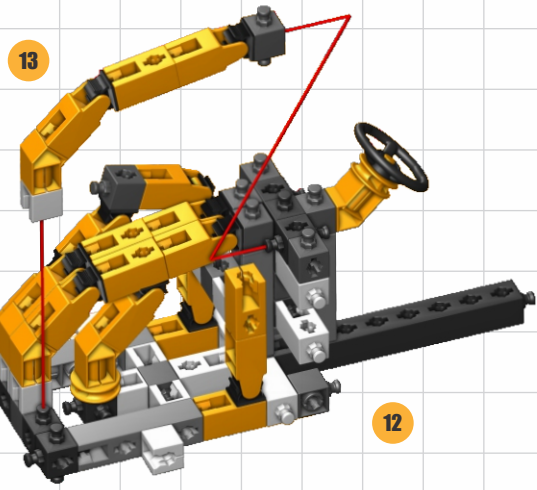
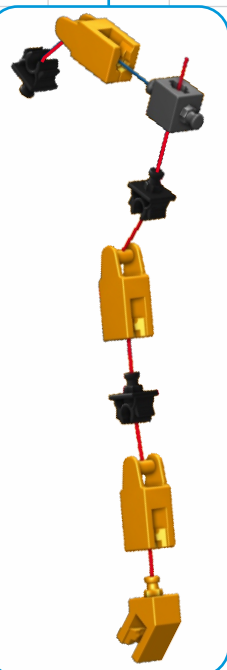
05



12

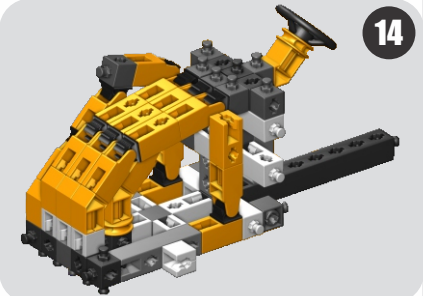


11

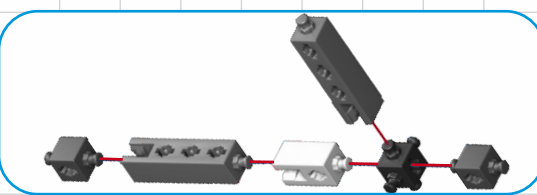


13

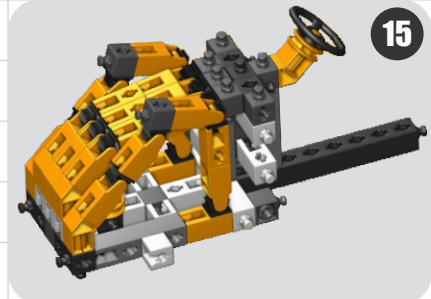
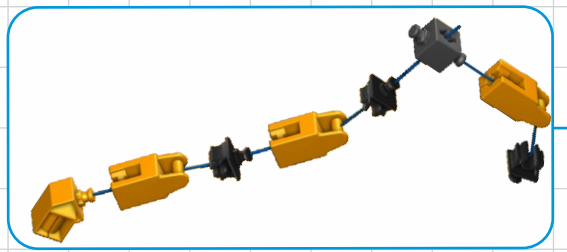
12



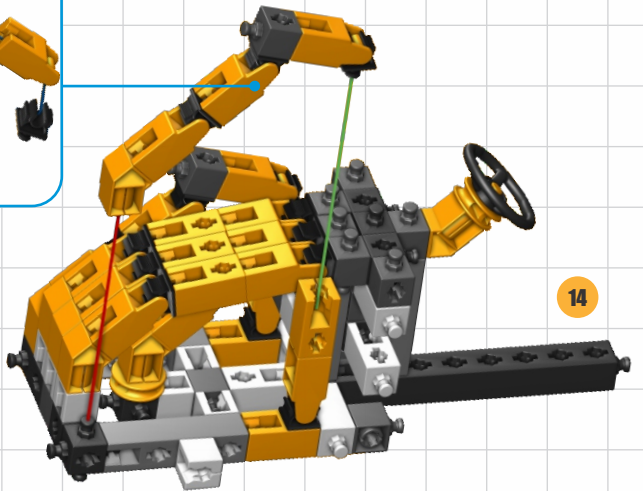
14



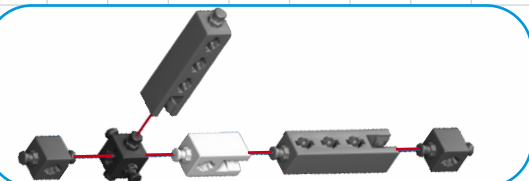
06



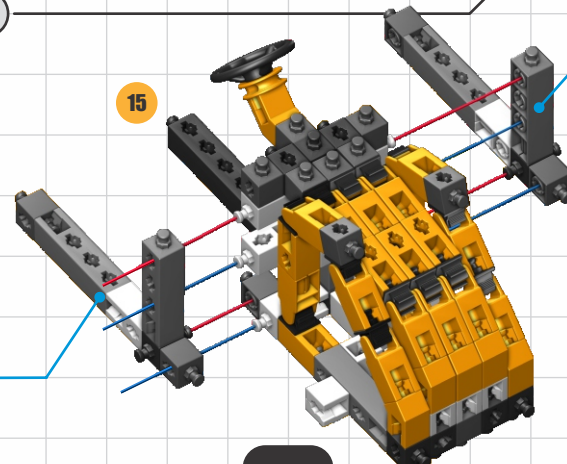
15



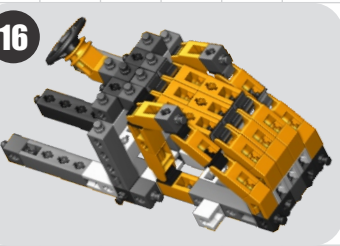
14

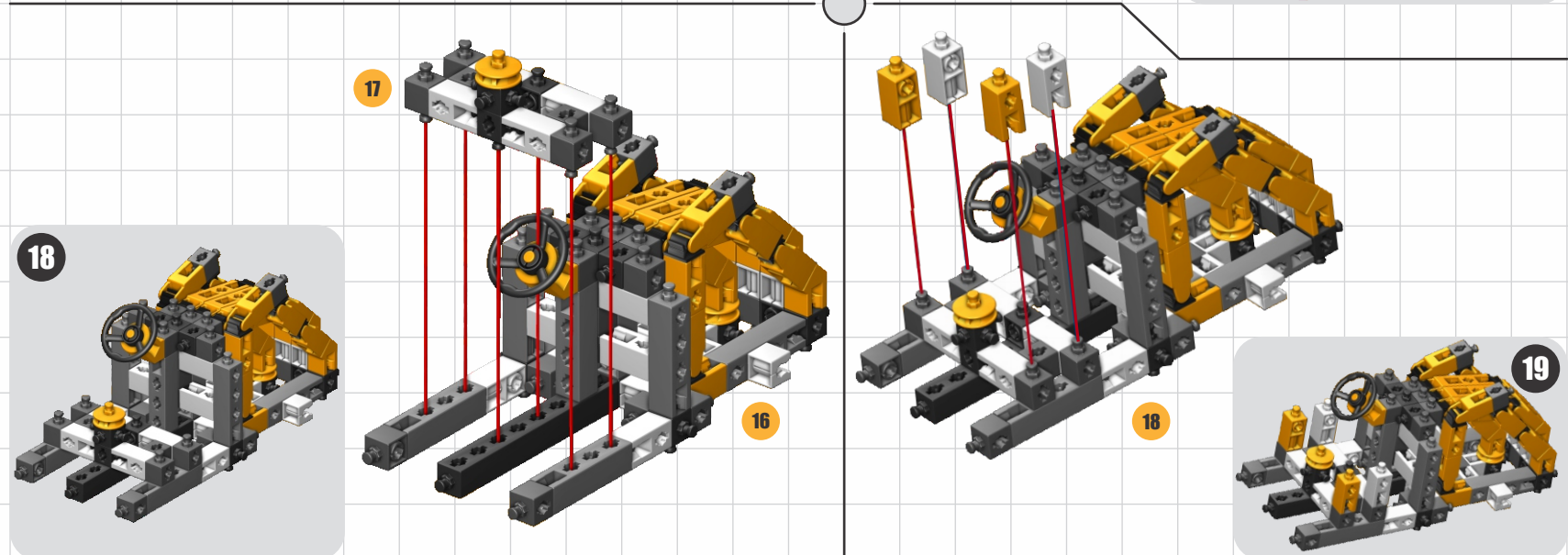
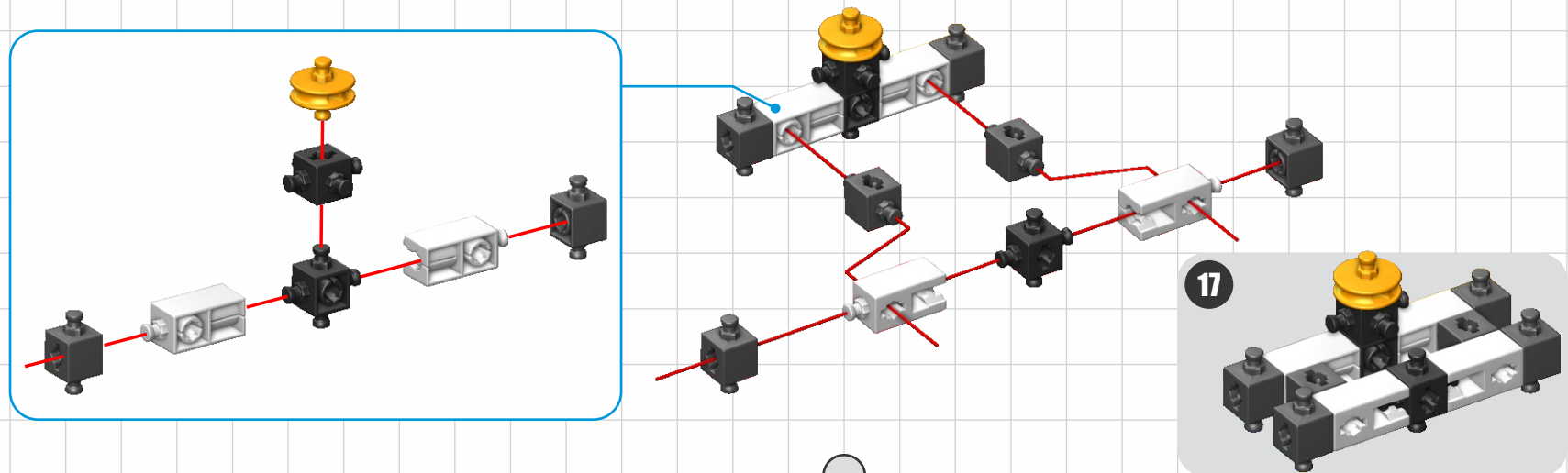


15

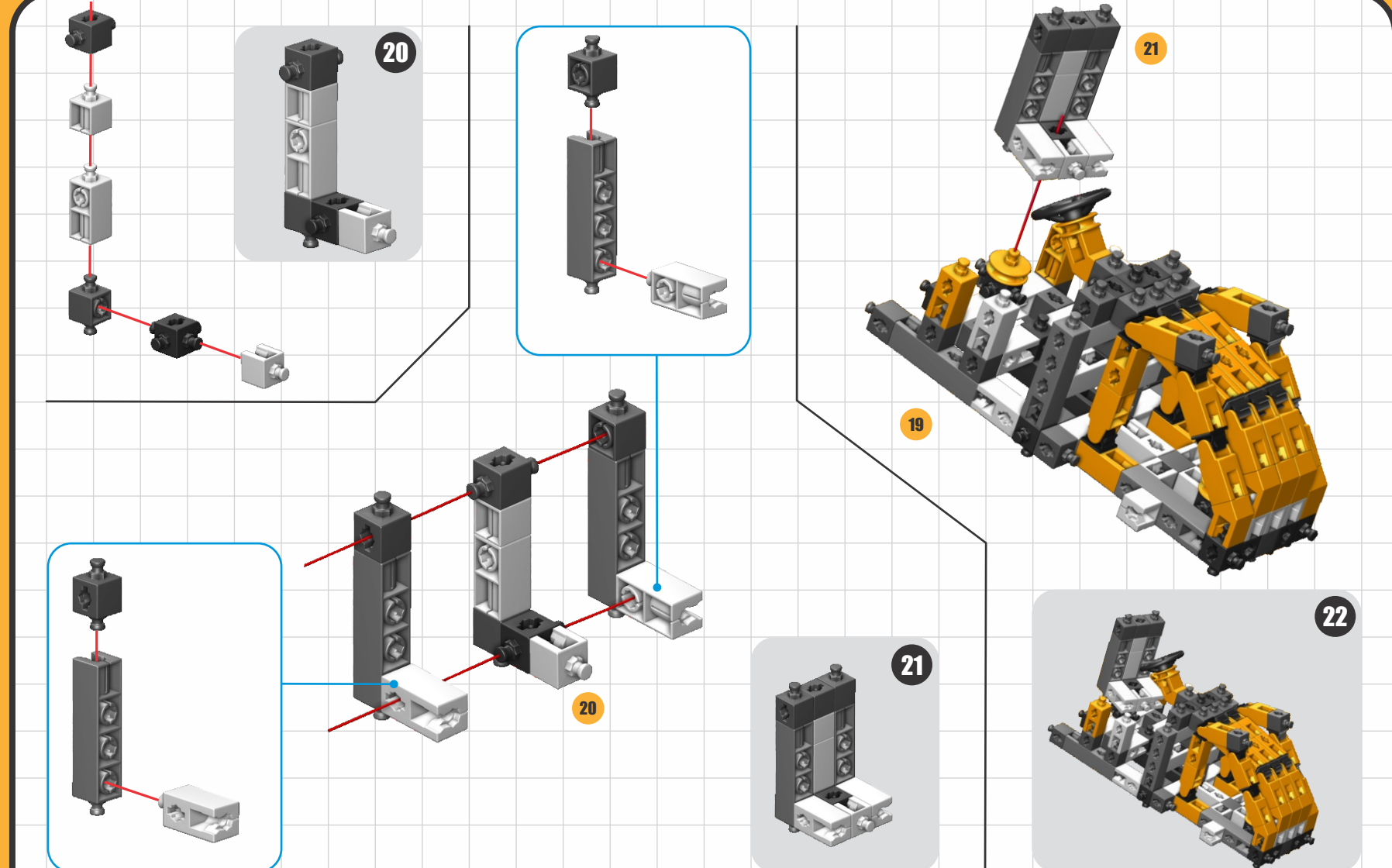


16

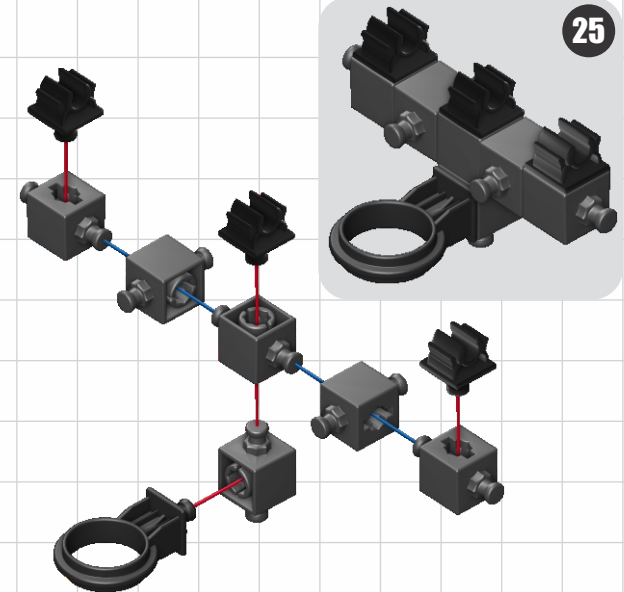
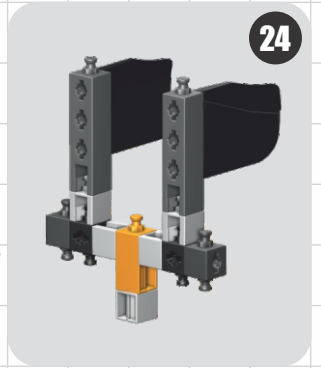
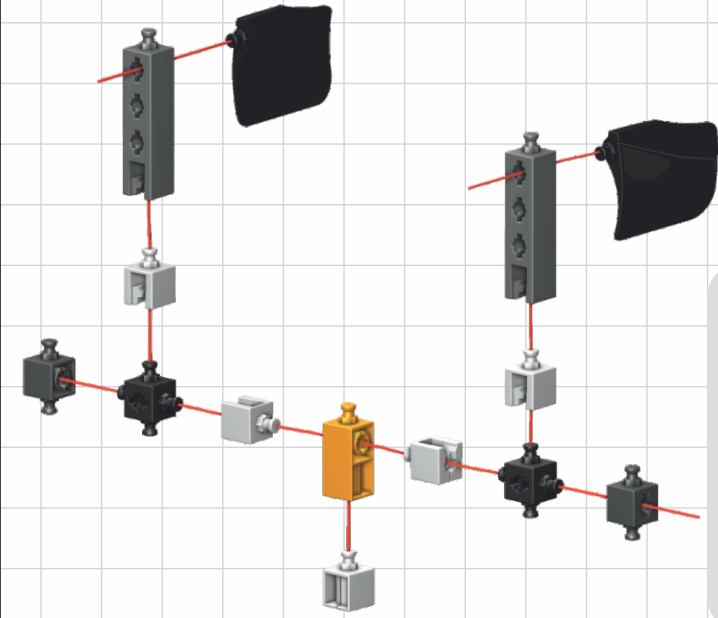
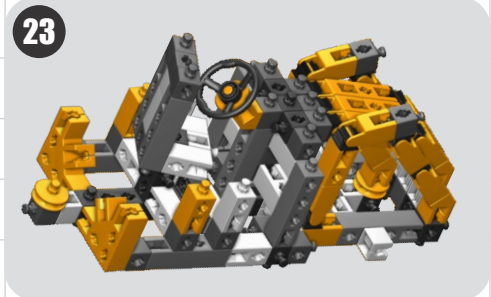
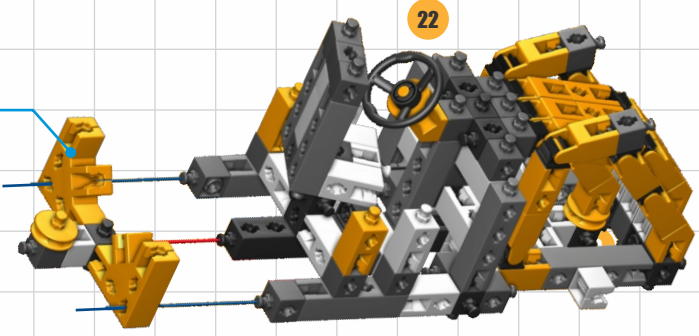
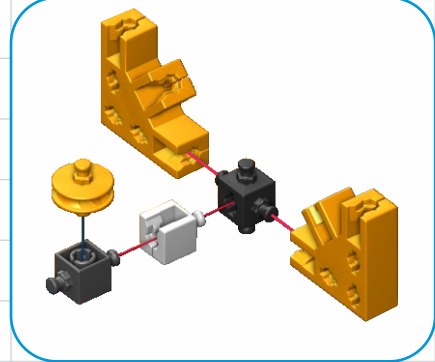




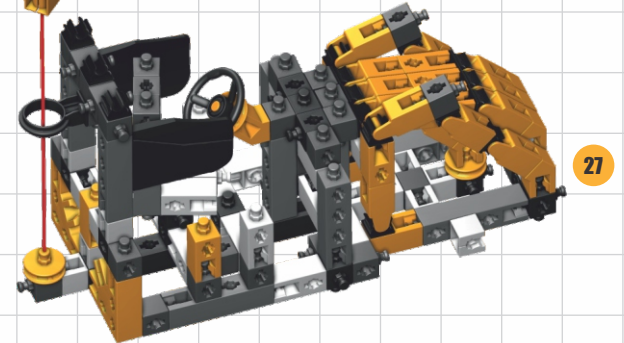
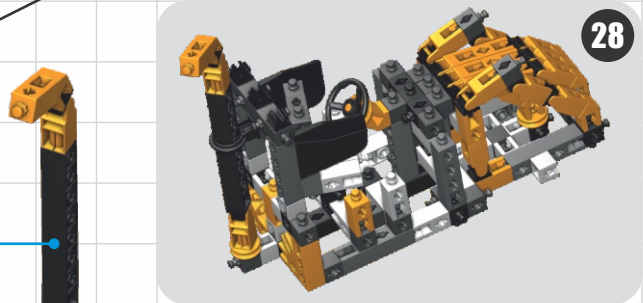
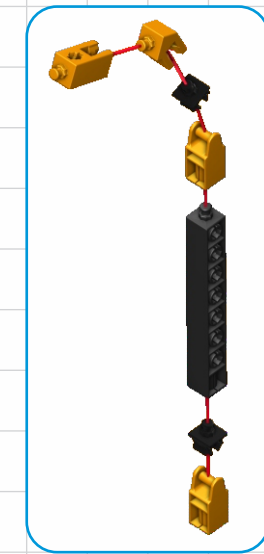
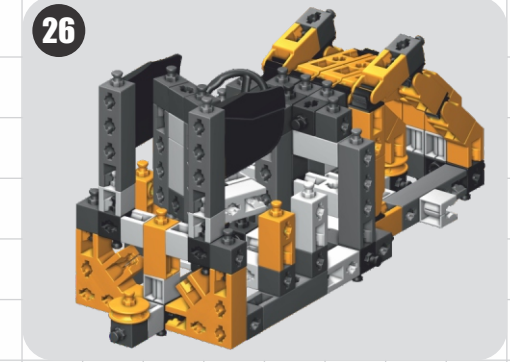
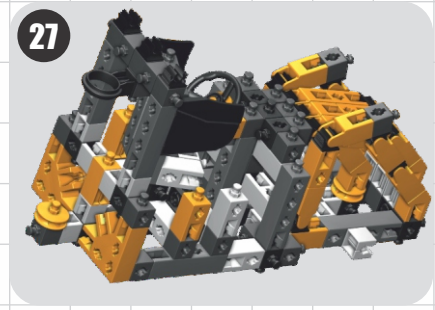
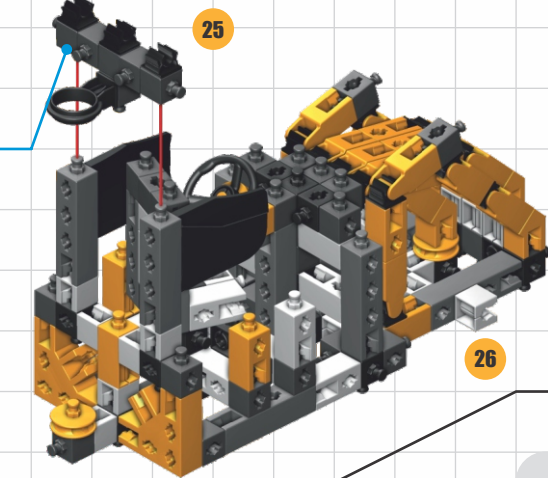
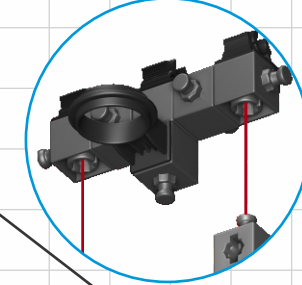
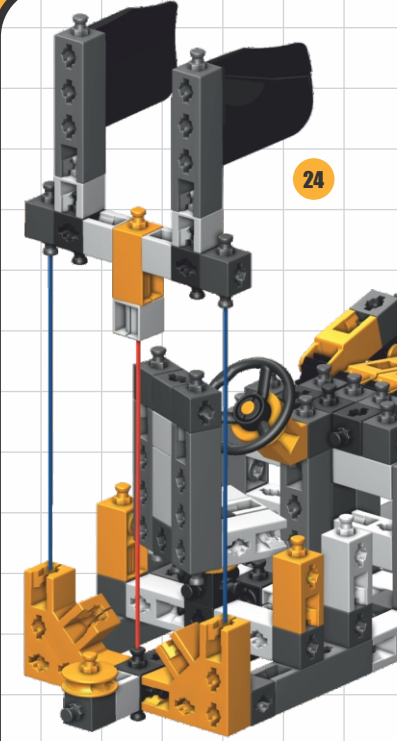
07



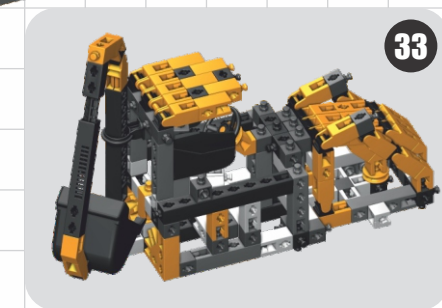
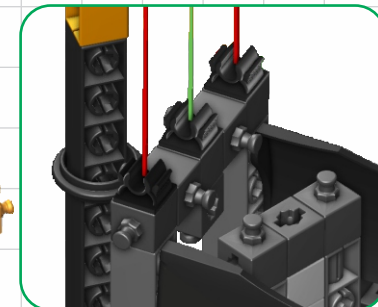
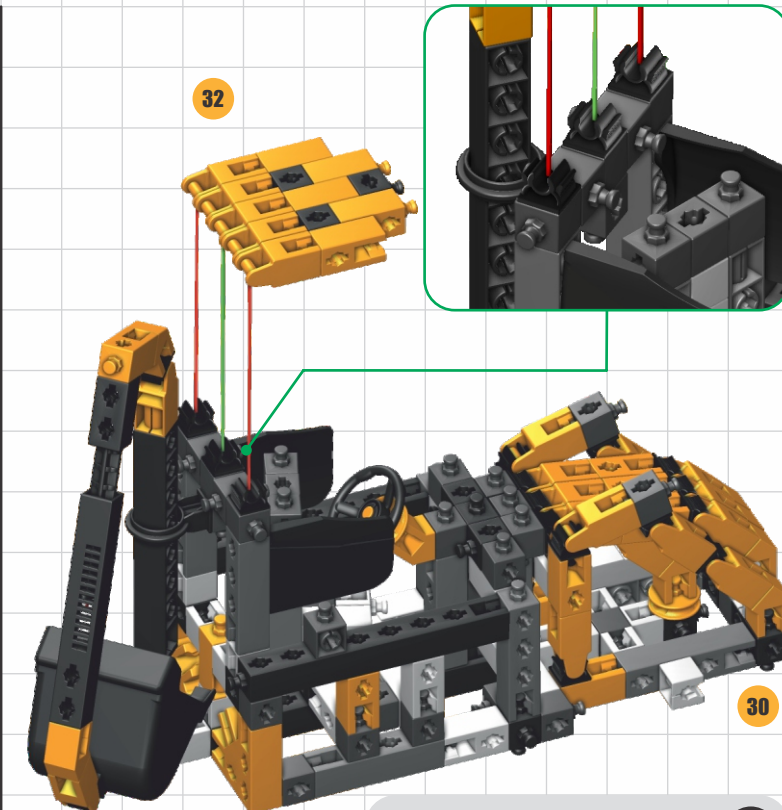
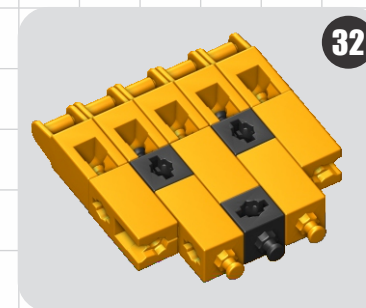
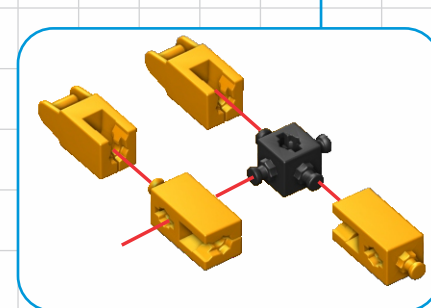
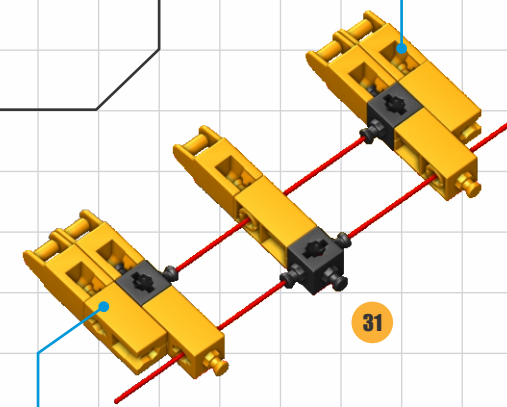
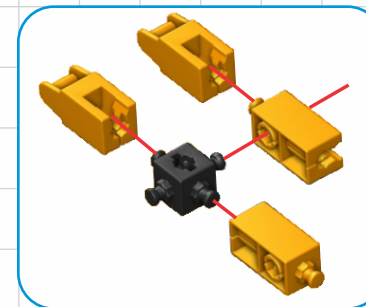
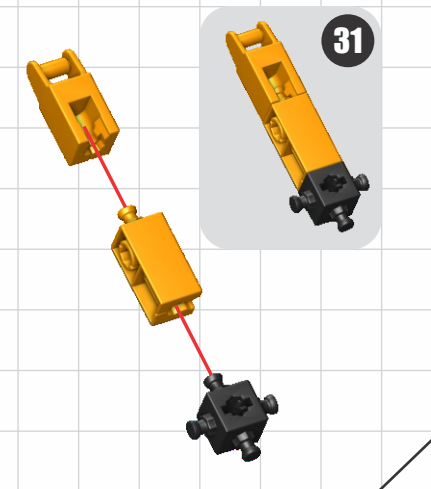
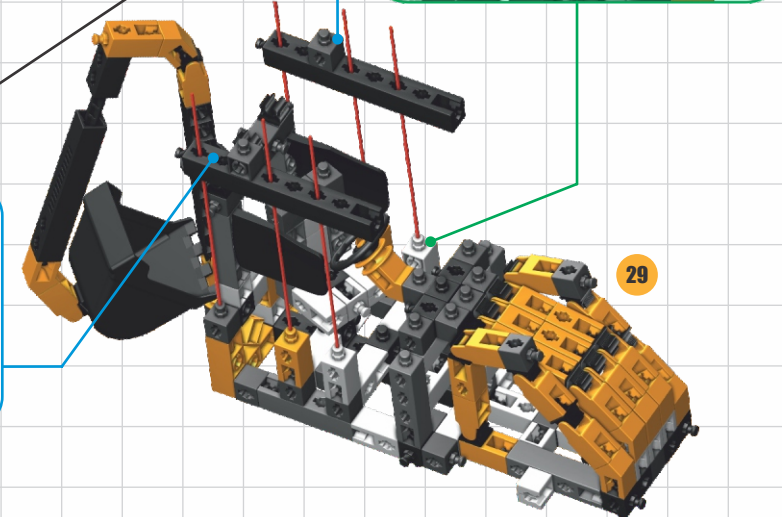
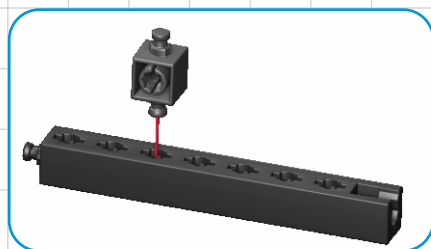
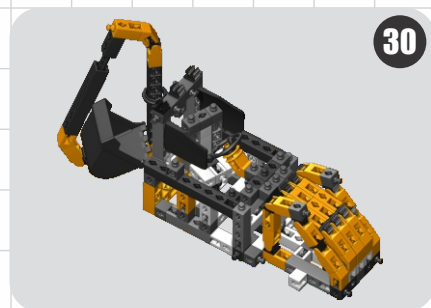
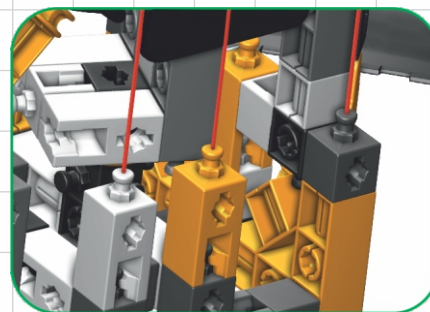
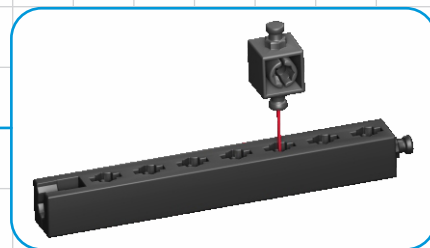
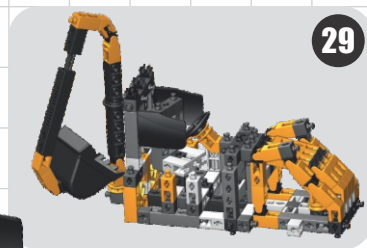
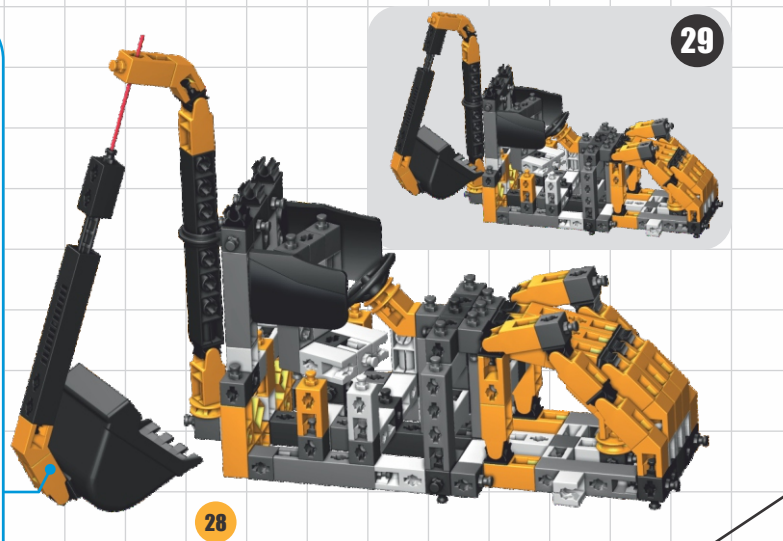
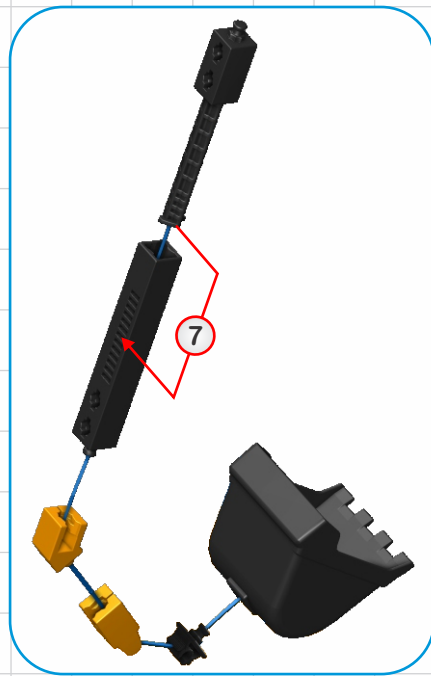
08

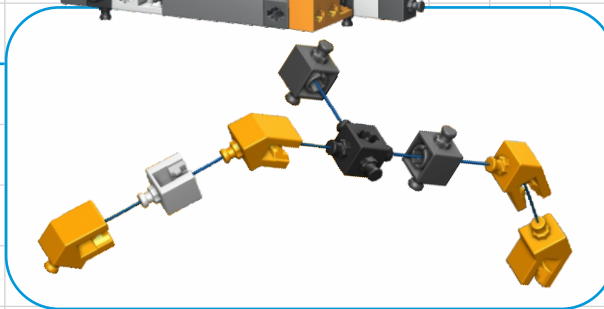
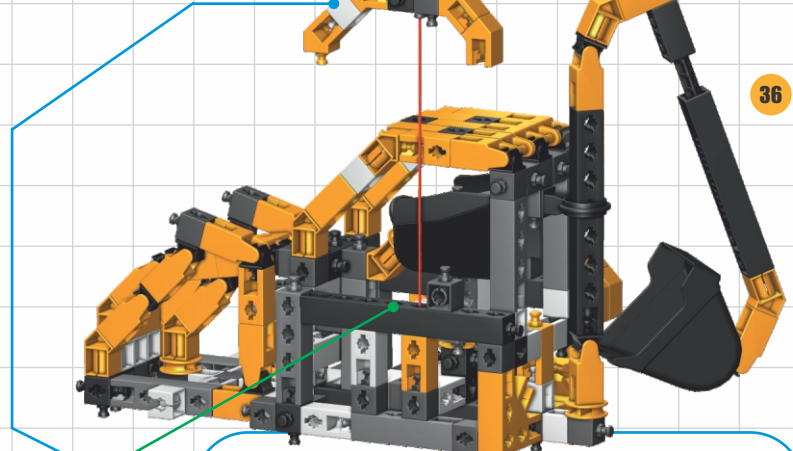
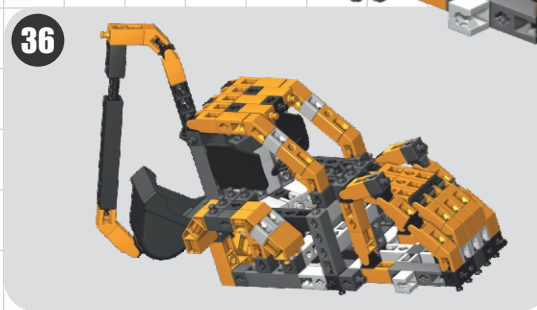
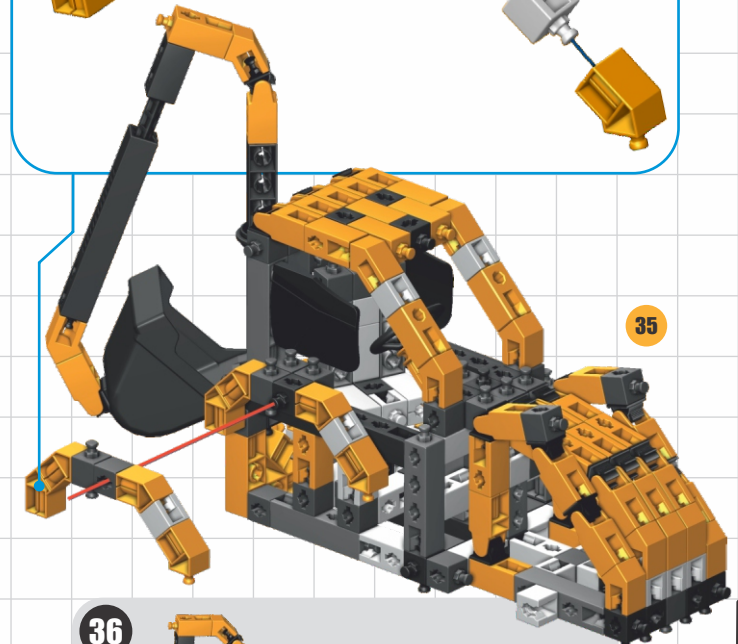
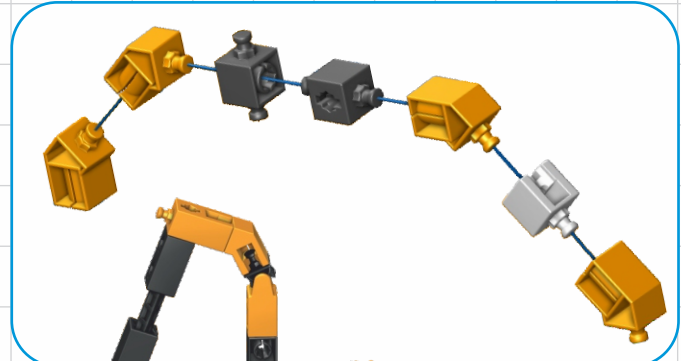
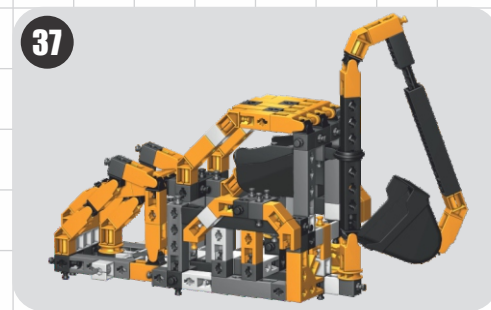
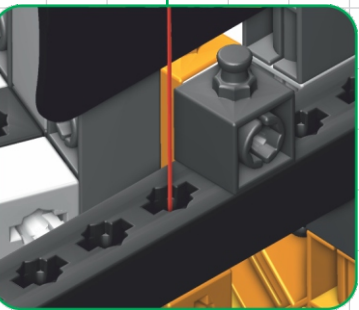
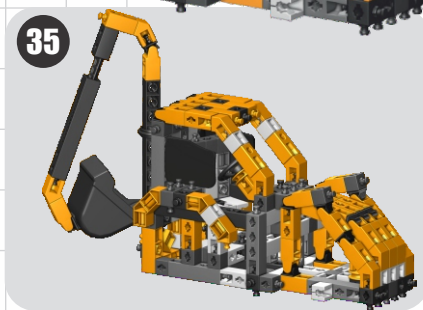
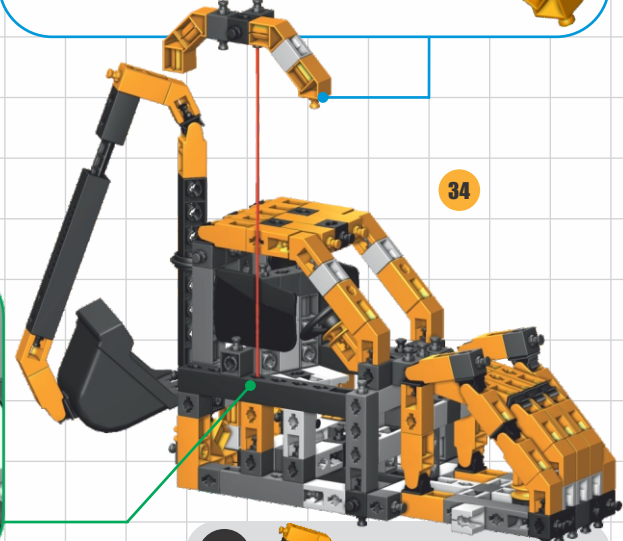
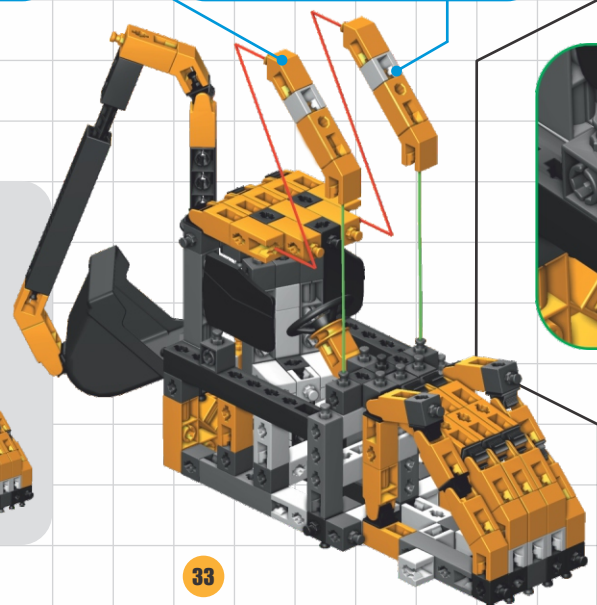
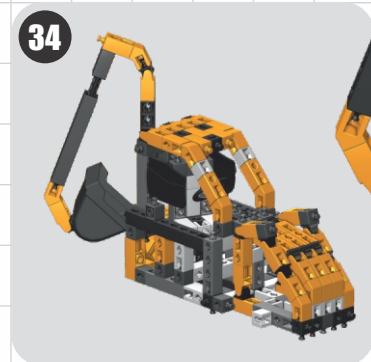
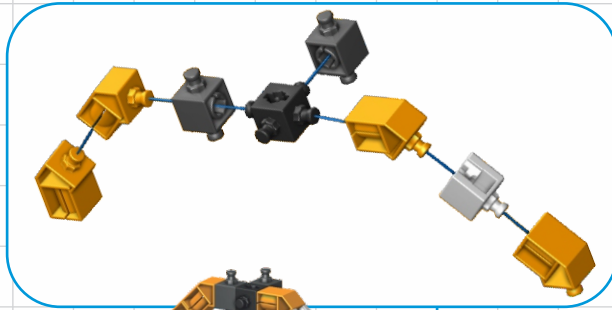
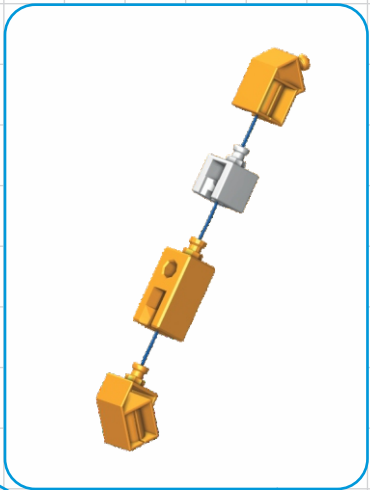
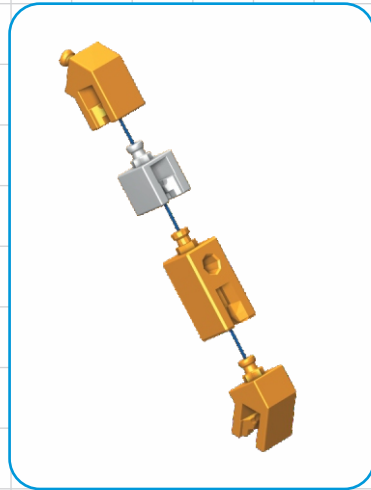


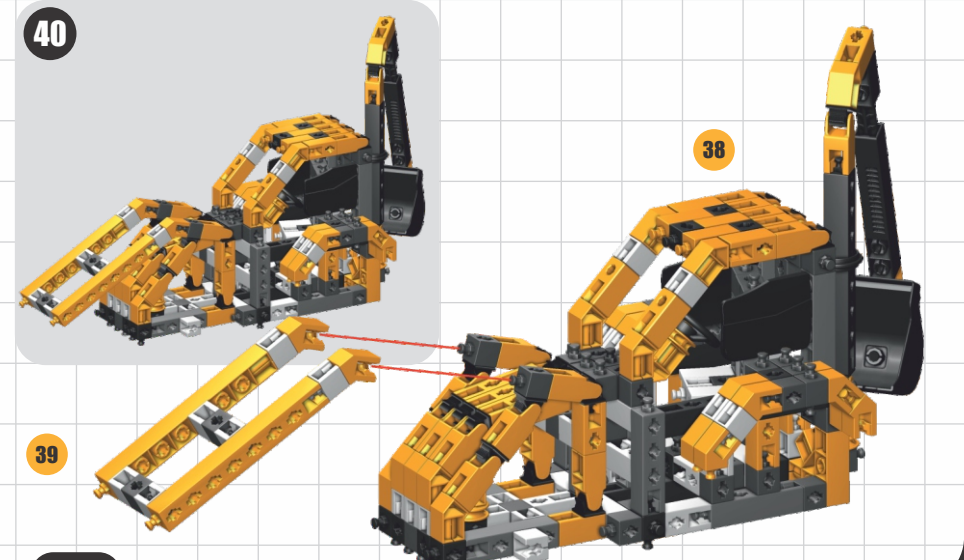
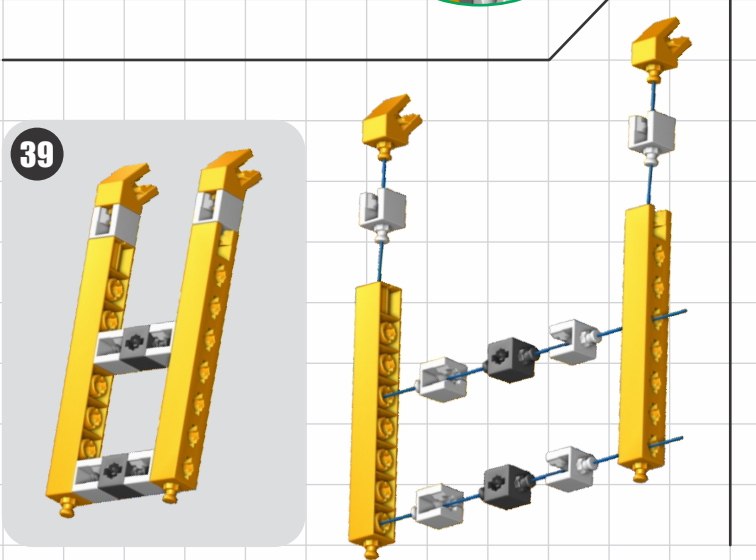
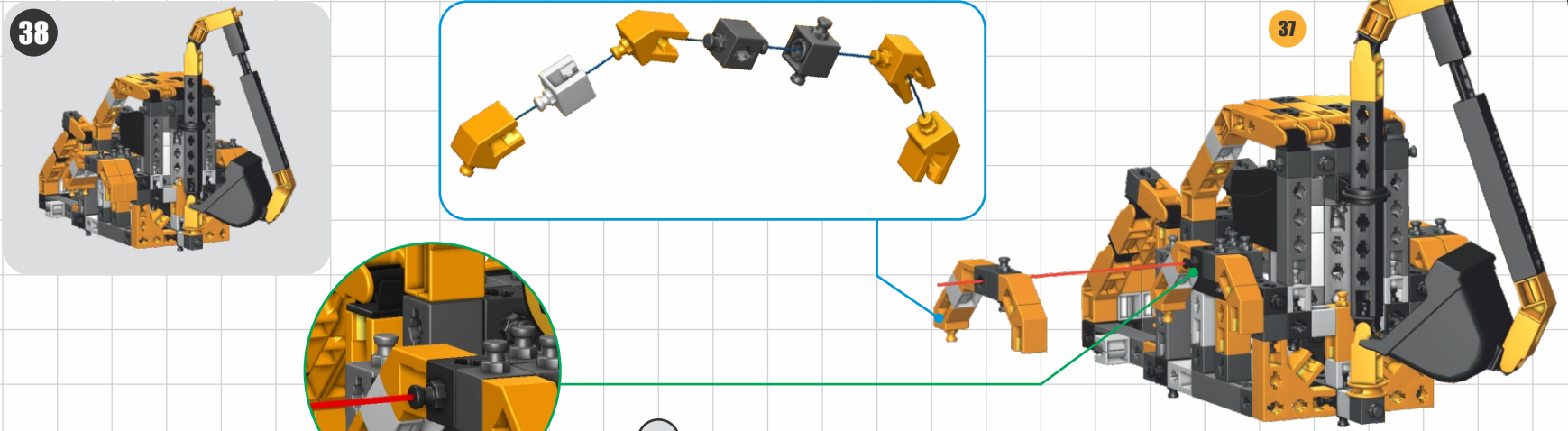
09



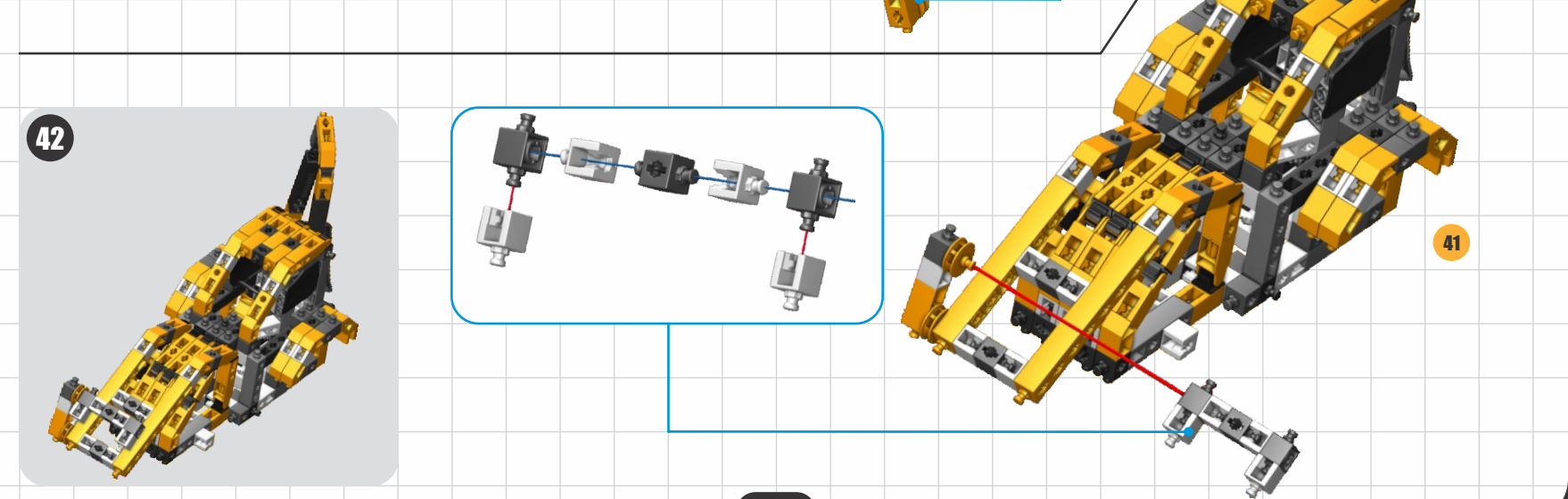
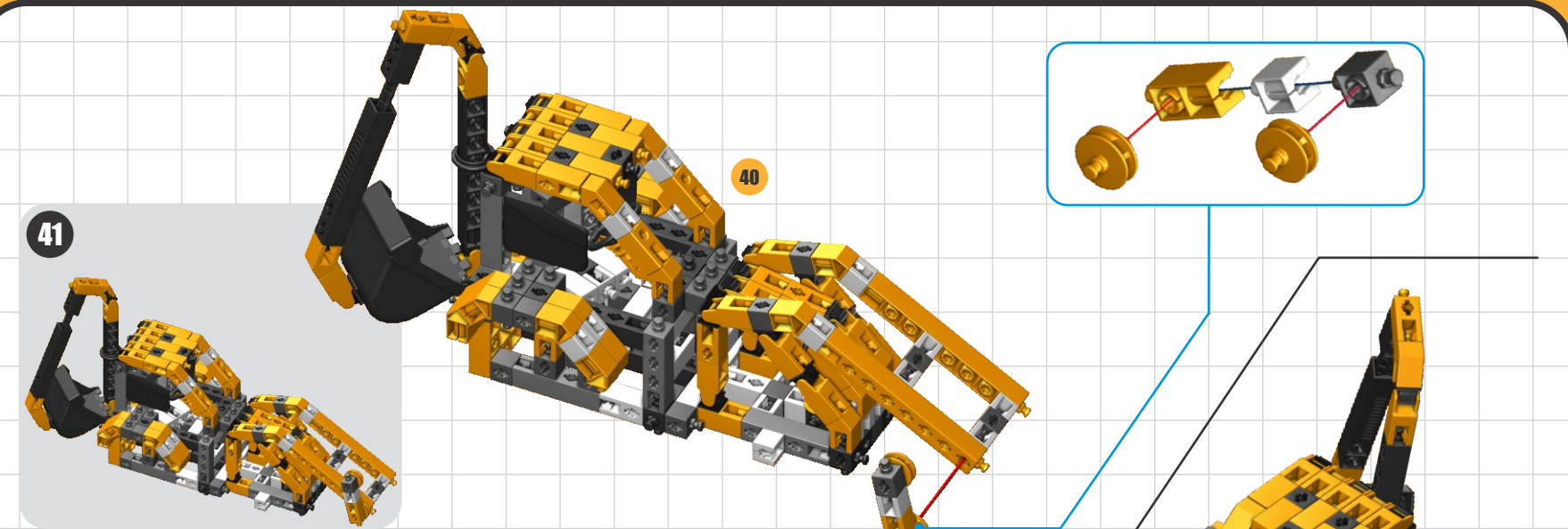
10



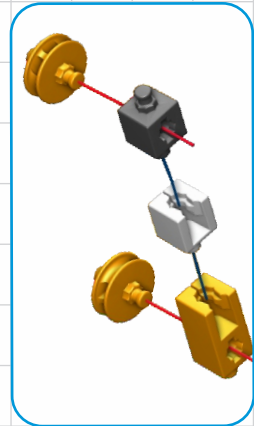




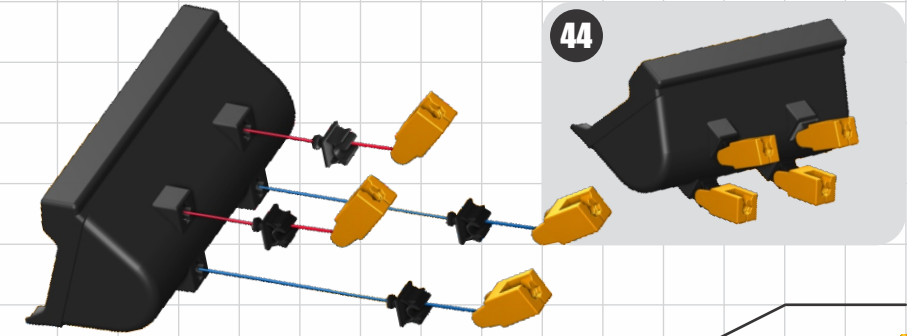
15



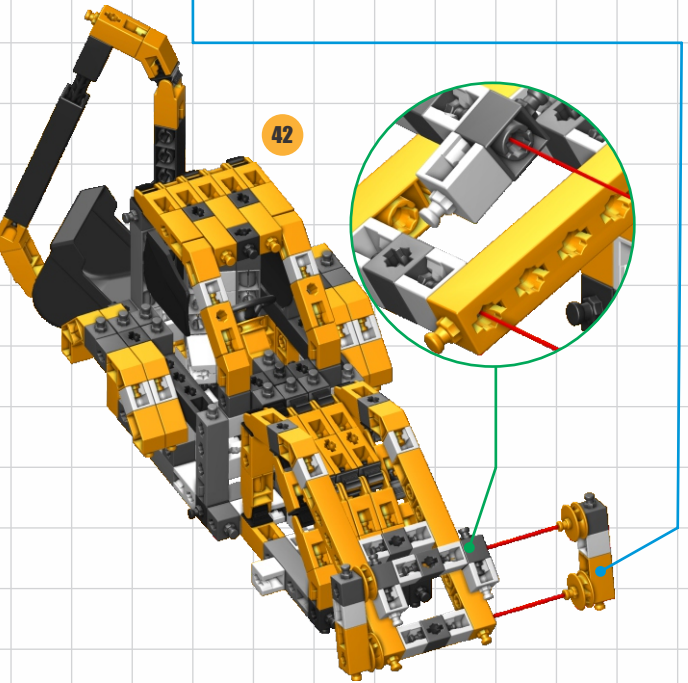
16



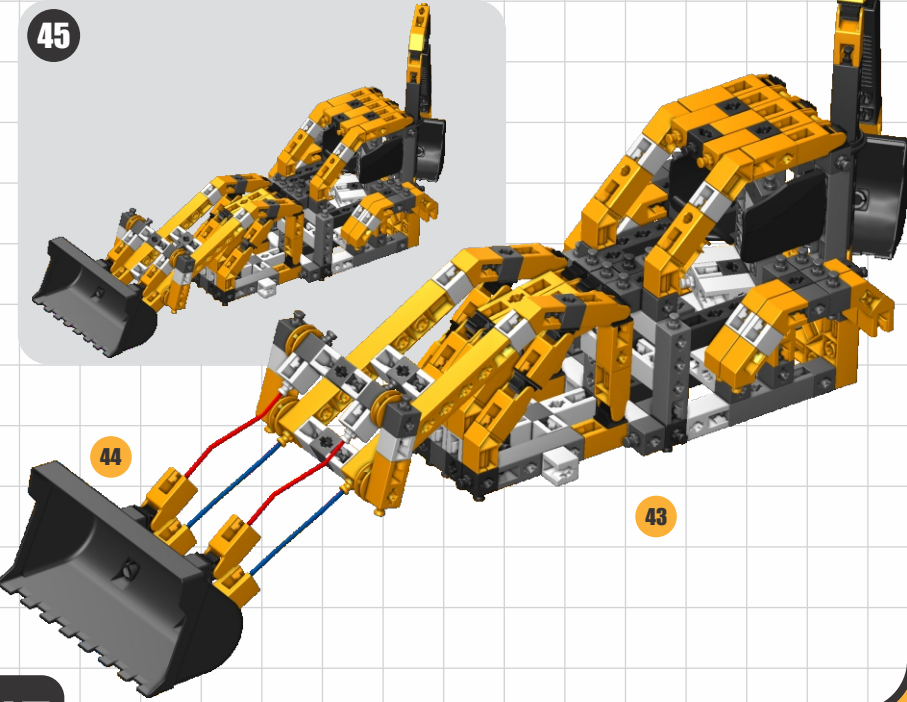
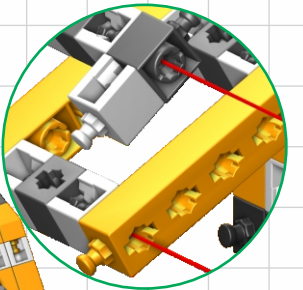
43



44



42

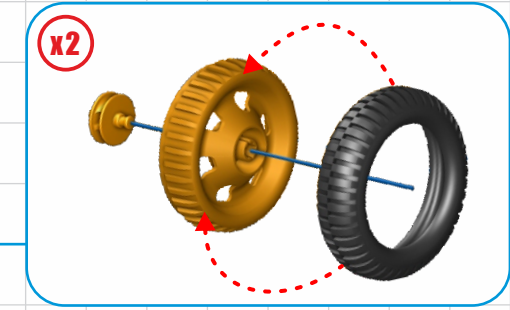


45

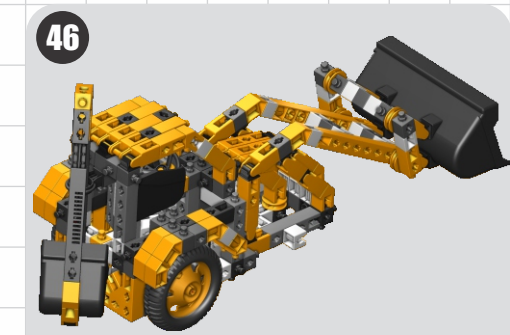
44

43

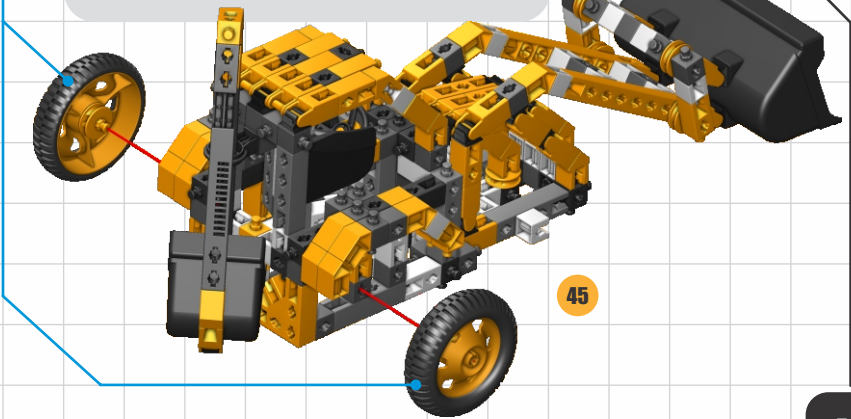
17



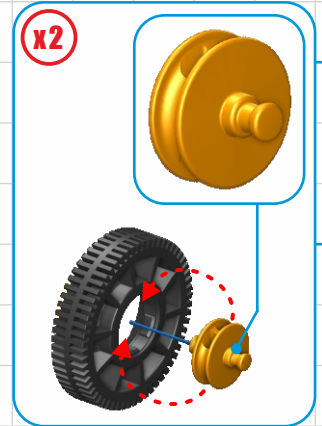
x2



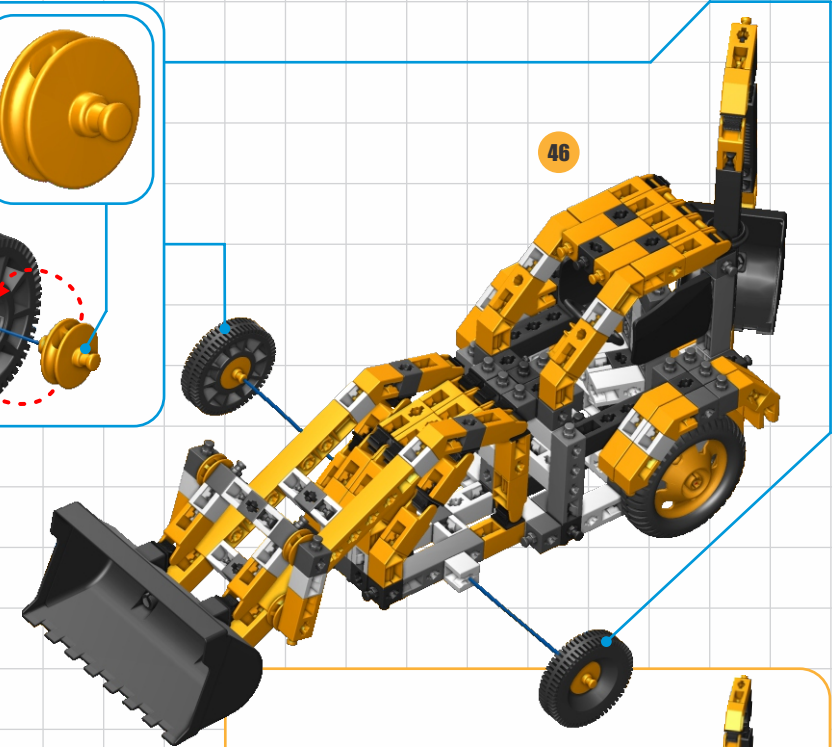
46



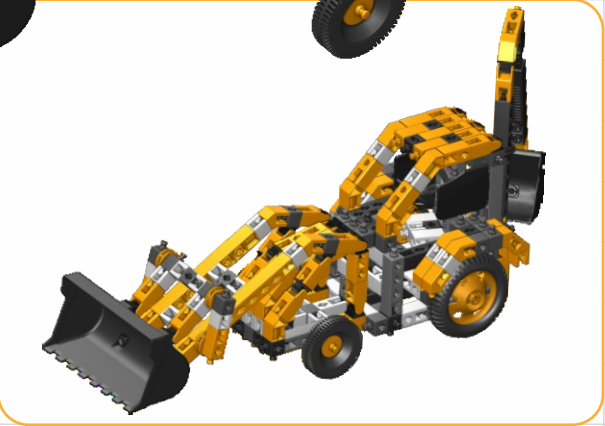
45



x2



46



18